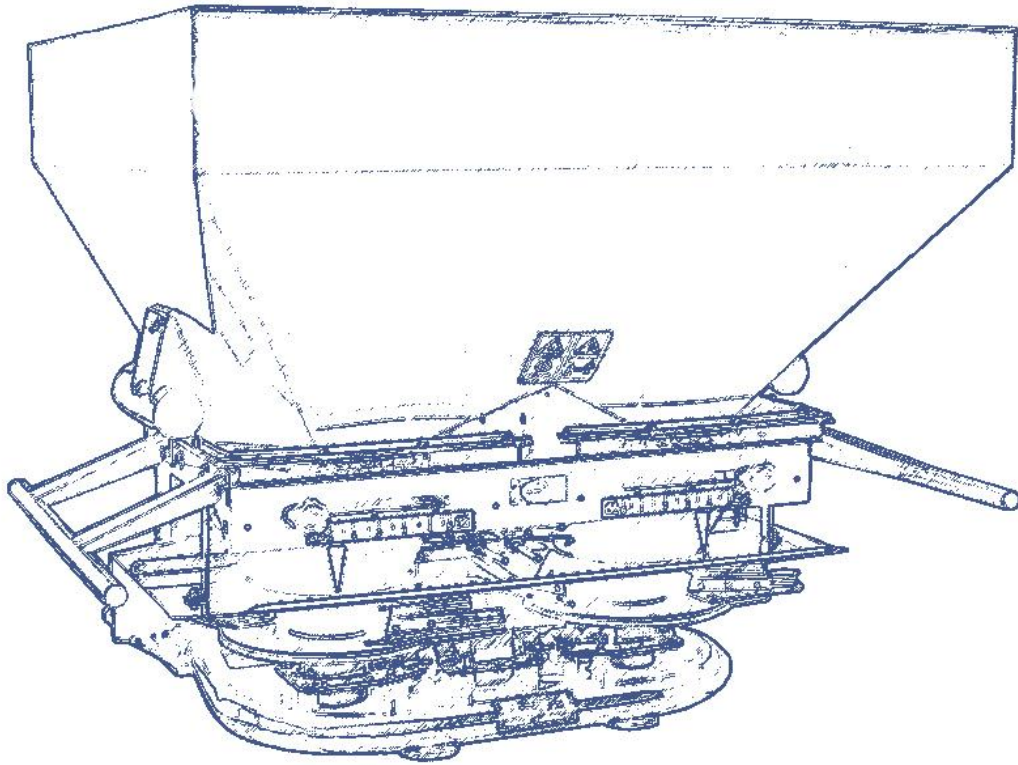


Modello
Model

DAVID



Modello
Model

DAVID FRUIT

RICAMBI
SPARE-PARTS
RECHANGES
ERSATZTEILLISTE
REPUESTOS



01/2009

**USATE SEMPRE RICAMBI ORIGINALI
ALWAYS USE ORIGINAL SPARE PARTS
IMMER DIE ORIGINAL-ERSATZTEILE VERWENDEN
EMPLOYEZ TOUJOURS LES PIECES DE RECHANGE ORIGINALES
UTILIZAR SIEMPRE REPUESTOS ORIGINALES**

O.M.B.

ITALIANO

ENGLISH

DEUTSCH

FRANÇAIS

ESPAÑOL

PARTI DI RICAMBIO

Gli ordini delle parti di ricambio vanno fatti presso i nostri concessionari di zona e devono essere sempre corredati dalle seguenti indicazioni:

- **Tipo, modello e numero di matricola dell'attrezzatura.** Tali dati sono stampigliati nell'apposita targhetta di cui è dotata ogni attrezzatura.
- **Numero di codice della parte richiesta** rilevabile dal catalogo ricambi
- **Descrizione del particolare e quantità richiesta.**

NOTA: Il termine (Dx) Destro o (Sx) Sinistro della macchina o di parti di essa, è inteso secondo il senso di marcia.

SPARE PARTS

Orders must be transmitted through our area dealers and should always include the following indications:

- **Type, model and serial number of the machine.** These data are punched on the data plate which every implement is equipped with.
- **Code number of the required spare part.** This will be found in the spare parts catalogue.
- **Description of the part and required quantity.**

Note: The symbols **(Dx) right** and **(Sx) left**, concerning the machine or single parts of it, are referred, as in the figure, to a rear view of them according to the direction of travel.

ERSATZTEILE

Die Bestellungen müssen bei unseren Gebietshändler aufgegeben werden. Bei der Bestellung sind stets die folgenden Angaben zu machen:

- **Typ, Modell und Serien-Nummer des Geräts.** Diese Daten stehen auf dem Typenschild, mit dem jedes Gerät versehen ist.
- **Artikel Nr. der erforderlichen Ersatzteile.** Diese stehen im Ersatzteil-Katalog.
- **Beschreibung des Ersatzteils und die erforderliche Stückzahl.**

N.B.: Die Merkzeichen **(Dx) rechts** und **(Sx) links** betreffen eine rückwärtige Aussicht der Maschine oder Teile von ihr (siehe Bild).

PIECES DÉTACHÉES

Les ordres doivent être effectués auprès de nos concessionaires de zone en précisant les indications suivantes:

- **Type, modèle et numéro de série de la machine.** Ces données sont gravées sur la plaque d'identification de chaque outil.
- **Numéro de code de la pièce détachée** indiqué sur le catalogue des pièces détachées.
- **Description de la pièce et quantité requise.**

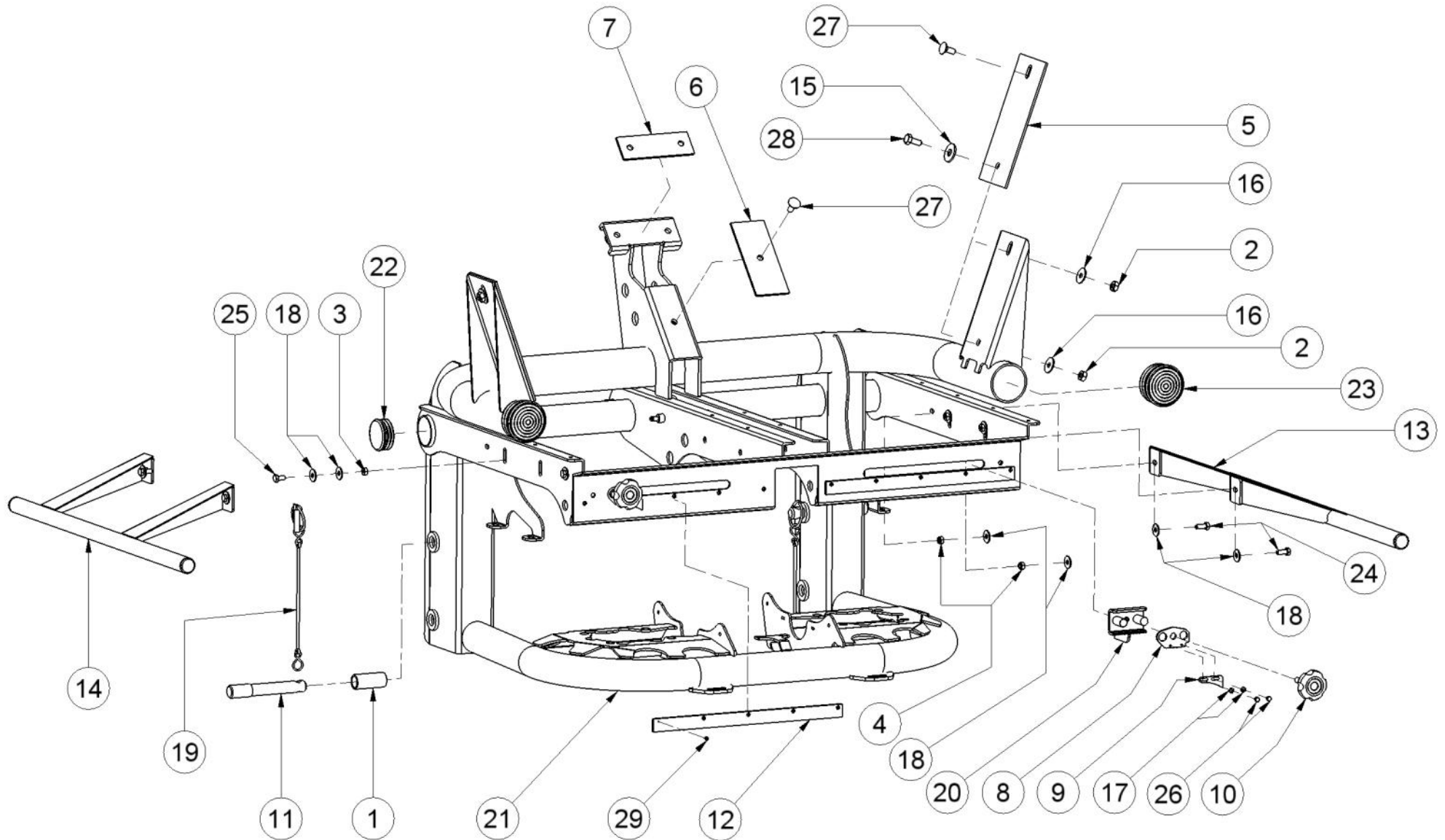
N.B.: Les références **(Dx) droit** et **(Sx) gauche** de la machine ou des parties de la même, est entendue, comme de la figure, en regardant la machine de derrière dans le sens de marche.

REPUESTOS

Los pedidos han de efectuarse en nuestros concesionarios de zona y deben incluir siempre las siguientes indicaciones:

- **Tipo, modelo y número de matrícula del equipo.** Dichos datos están impresos en la relativa placa presente en el equipo.
- **Número de código de la parte requerida** presente en el catálogo repuestos.
- **Descripción de la pieza y cantidad requerida.**

N.B.: La referencia **(Dx) derecha** o **(Sx) izquierda** de la máquina o de sus componentes, se entiende, como en la figura, mirando la máquina por la parte trasera, según la dirección del recorrido.



Modello
Model

EUROSPAND

DAVID

Elenco ricambi - Spare parts list

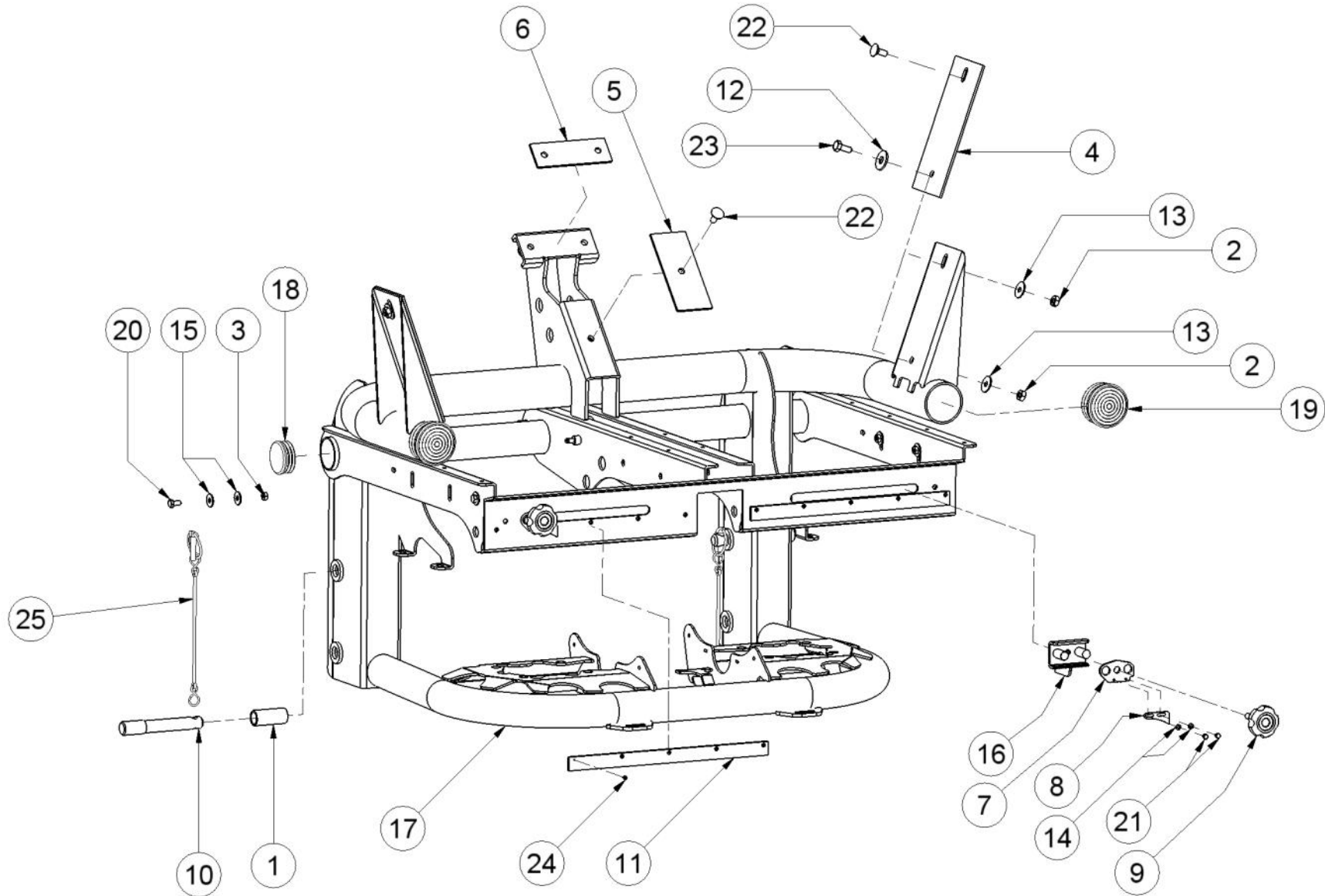
Elemento	Codice	Descrizione	Description	Qtà
1	B004.207	BOCCOLA 1°- 2° CAT DM22-28 SP 52	BUSHING 1ST-2ND DM22-28 SP 52	2
2	D001.005	DADO E M 10 INOX UNI 5588	ST. STEEL HEXAGON NUT M 10 UNI 5588	7
3	D001.006	DADO E M 8 INOX UNI 5588	STAINLESS STEEL HEXAGON NUT M8 UNI 5588	4
4	D001.031	DADO E M 8 STOP INOX UNI 7473	ST.STEEL HEXAGON NUT DM 8 STOP UNI 7473	4
5	G014.039	GOMMA LAT.SP 4MM TRAMOGGIA SP52 OSCIL.	SIDE RUBBER 4MM (FLEX. HOPPER SP52)	2
6	G014.040	GOMMA POST.INF.SP4 TRAMOGGIA SP52 OSCIL.	LOWER REAR RUBBER 4MM (FLEX.HOPPER SP52)	1
7	G014.041	GOMMA POST.SUP.SP 4MM TRAM.SP 52 OSCIL.	UPPER REAR RUBBER 4MM (FLEX.HOPPER SP52)	1
8	I001.016	INDICATORE APERTURA SP52/70/95/70NEW	SHUTTER OPENING POINTER SP52	2
9	I001.018	INDICATORE MOBILE APERTURA SARACINESCA	MOVABLE SHUTTER OPENING POINTER	2
10	I006.029	VOLANTINO 5 LOBI DM60 M10X45 INOX	STAINLESS STEEL KNOB DM60 M10X45	2
11	P004.196	PERNO SOLL 1°CAT D22X100 SP 52 33-2005	LIFT ARM PIN 1ST CAT. D22X100 SP 52 -05	2
12	P005.153	PIASTRA PVC 400X25X5 SP52/70/95/70NEW	PVC PLATE 410 X 25 X 5 SP52/SP70 NEW	2
13	P012.111	PROTEZIONE CE DX SP52	RIGHT PROTECTION CE SP 52	1
14	P012.114	PROTEZIONE CE SX SP52	LEFT PROTECTION CE SP 52	1
15	R005.008	RONDELLA PIANA DM 12X36X3 INOX UNI 6593	ST.STEEL FLAT WASHER DM 12X36X3 UNI 6593	2
16	R005.037	RONDELLA PIANA DM 10X30 INOX UNI6593/69	ST.STEEL FLAT WASHER DM 10X30 UNI6593/69	7
17	R005.041	RONDELLA DM 5X10 INOX UNI 6592	STAINLESS STEEL WASHER DM 5X10 UNI 6592	4
18	R005.080	RONDELLA PIANA DM 8X24 INOX UNI 6593	STAINLESS STEEL FLAT WASHER 8X24 UNI6593	16
19	S006.032	SPINA A SCATTO DM 10 CON TIRANTE GOMMA	SAFETY PIN DM 10 WITH RUBBER ROD	2
20	S008.250	STAFFA FIX APERTURA SP52/70/95 COMPL.	OPENING FIXING BRACKET (COMPLETE) SP52	2
21	T003.218	TELAIO SP 52 OSCILLANTE	FLEXIBLE FRAME SP52	1
22	T017.015	TAPPO PLAST.TUBO 2"- 60MM (ILT 60)	PLASTIC CAP 2"- 60MM(ILT 60)	2
23	T017.032	TAPPO TUBI DA 2" 1/2 DM 76MM (ILT 76)	TUBE CAP 2" 1/2 DM 76MM (ILT 76)	2
24	V003.008	VITE TE 8 X 20 INOX UNI 5739	ST.STEEL HEXAGON HEAD SCREW 8X20 UNI5739	4
25	V003.014	VITE TE 8 X 16 INOX UNI 5739 DIN933	ST.STEEL HEXAGON HEAD SCREW 8X16 UNI5739	4
26	V003.081	VITE TE 5 X 6 INOX UNI 5739	ST.STEEL HEXAGON HEAD SCREW 5X6 UNI 5739	4
27	V003.171	VITE TB 10 X 25 INOX DIN 603	ST.STEEL CUP SQUARE SCREW 10X25 DIN 603	3
28	V003.173	VITE TE 10 X 25 INOX UNI 5739 DIN 933	ST.STEEL HEXAGON HEAD SCREW 10X25 UNI5739	2
29	V003.324	VITE A2 TS 3,9X9,5 UNI 6955 AB	STAIN.ST. SCREW A2 TS 3,9X9,5 UNI6955 AB	10



Modello
Model

EUROSPAND

DAVID



Modello
Model

EUROSPAND

DAVID FRUIT

Elenco ricambi - Spare parts list

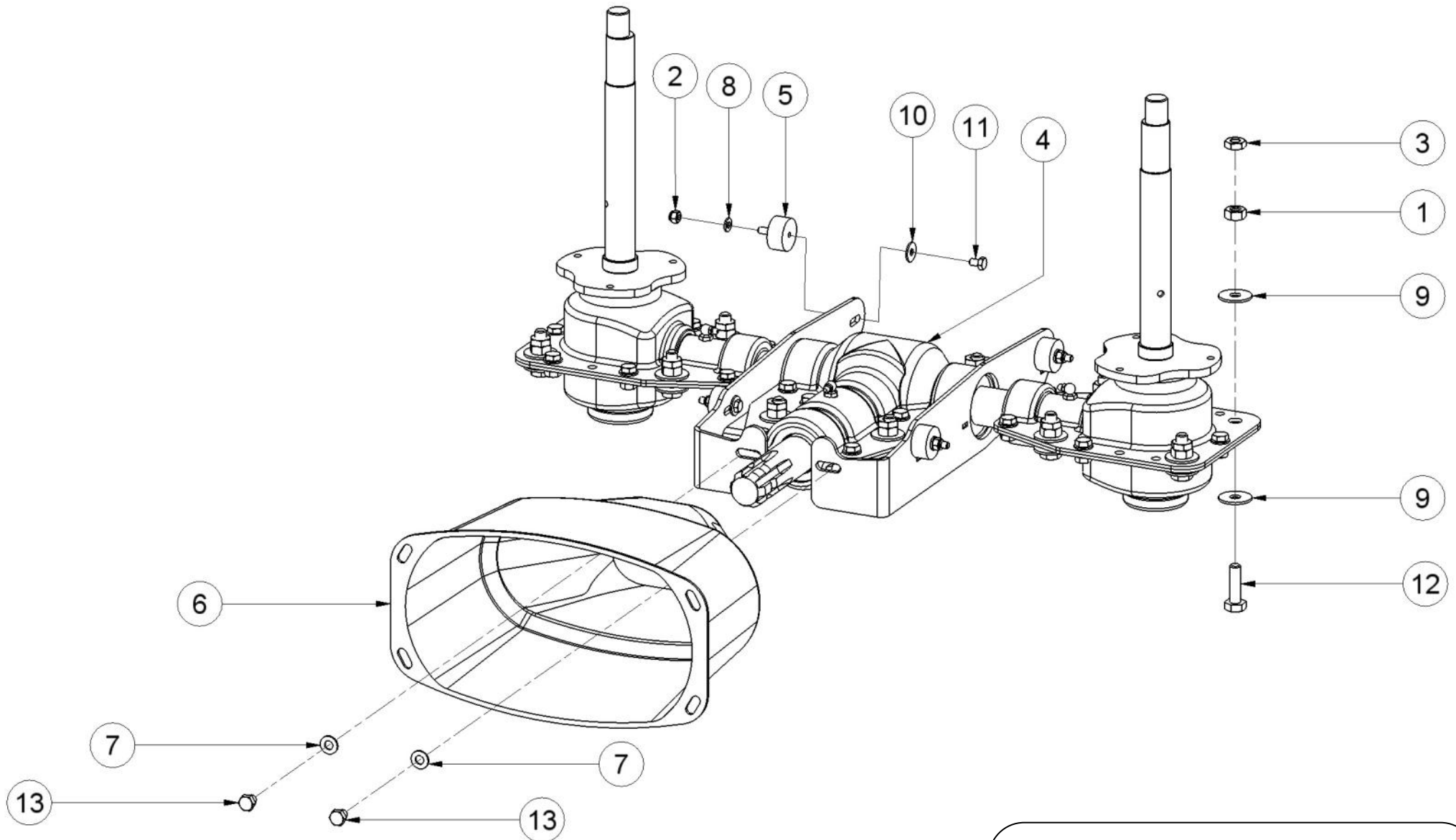
Elemento	Codice	Descrizione	Description	Qtà
1	B004.207	BOCCOLA 1°- 2° CAT DM22-28 SP 52	BUSHING 1ST-2ND DM22-28 SP 52	2
2	D001.005	DADO E M 10 INOX UNI 5588	ST. STEEL HEXAGON NUT M 10 UNI 5588	7
3	D001.006	DADO E M 8 INOX UNI 5588	STAINLESS STEEL HEXAGON NUT M8 UNI 5588	4
4	G014.039	GOMMA LAT.SP 4MM TRAMOGGIA SP52 OSCIL.	SIDE RUBBER 4MM (FLEX. HOPPER SP52)	2
5	G014.040	GOMMA POST.INF.SP4 TRAMOGGIA SP52 OSCIL.	LOWER REAR RUBBER 4MM (FLEX.HOPPER SP52)	1
6	G014.041	GOMMA POST.SUP.SP 4MM TRAM.SP 52 OSCIL.	UPPER REAR RUBBER 4MM (FLEX.HOPPER SP52)	1
7	I001.016	INDICATORE APERTURA SP52/70/95/70NEW	SHUTTER OPENING POINTER SP52	2
8	I001.018	INDICATORE MOBILE APERTURA SARACINESCA	MOVABLE SHUTTER OPENING POINTER	2
9	I006.029	VOLANTINO 5 LOBI DM60 M10X45 INOX	STAINLESS STEEL KNOB DM60 M10X45	2
10	P004.196	PERNO SOLL 1°CAT D22X100 SP 52 33-2005	LIFT ARM PIN 1ST CAT. D22X100 SP 52 -05	2
11	P005.153	PIASTRA PVC 400X25X5 SP52/70/95/70NEW	PVC PLATE 410 X 25 X 5 SP52/SP70 NEW	2
12	R005.008	RONDELLA PIANA DM 12X36X3 INOX UNI 6593	ST.STEEL FLAT WASHER DM 12X36X3 UNI 6593	2
13	R005.037	RONDELLA PIANA DM 10X30 INOX UNI6593/69	ST.STEEL FLAT WASHER DM 10X30 UNI6593/69	7
14	R005.041	RONDELLA DM 5X10 INOX UNI 6592	STAINLESS STEEL WASHER DM 5X10 UNI 6592	4
15	R005.080	RONDELLA PIANA DM 8X24 INOX UNI 6593	STAINLESS STEEL FLAT WASHER 8X24 UNI6593	8
16	S008.250	STAFFA FIX APERTURA SP52/70/95 COMPL.	OPENING FIXING BRACKET (COMPLETE) SP52	2
17	T003.218	TELAIO SP 52 OSCILLANTE	FLEXIBLE FRAME SP52	1
18	T017.015	TAPPO PLAST.TUBO 2"- 60MM (ILT 60)	PLASTIC CAP 2"- 60MM(ILT 60)	2
19	T017.032	TAPPO TUBI DA 2" 1/2 DM 76MM (ILT 76)	TUBE CAP 2" 1/2 DM 76MM (ILT 76)	2
20	V003.014	VITE TE 8 X 16 INOX UNI 5739 DIN933	ST.STEEL HEXAGON HEAD SCREW 8X16 UNI5739	4
21	V003.081	VITE TE 5 X 6 INOX UNI 5739	ST.STEEL HEXAGON HEAD SCREW 5X6 UNI 5739	4
22	V003.171	VITE TB 10 X 25 INOX DIN 603	ST.STEEL CUP SQUARE SCREW 10X25 DIN 603	3
23	V003.173	VITE TE 10 X 25 INOX UNI 5739 DIN 933	ST.STEEL HEXAGON HEAD SCREW 10X25 UNI5739	2
24	V003.324	VITE A2 TS 3,9X9,5 UNI 6955 AB	STAIN.ST. SCREW A2 TS 3,9X9,5 UNI6955 AB	10
25	S006.032	SPINA A SCATTO DM 10 CON TIRANTE GOMMA	SAFETY PIN DM 10 WITH RUBBER ROD	2



Modello
Model

EUROSPAND

DAVID FRUIT



Modello
Model

EUROSPAND

**DAVID
DAVID FRUIT**

Elenco ricambi - Spare parts list

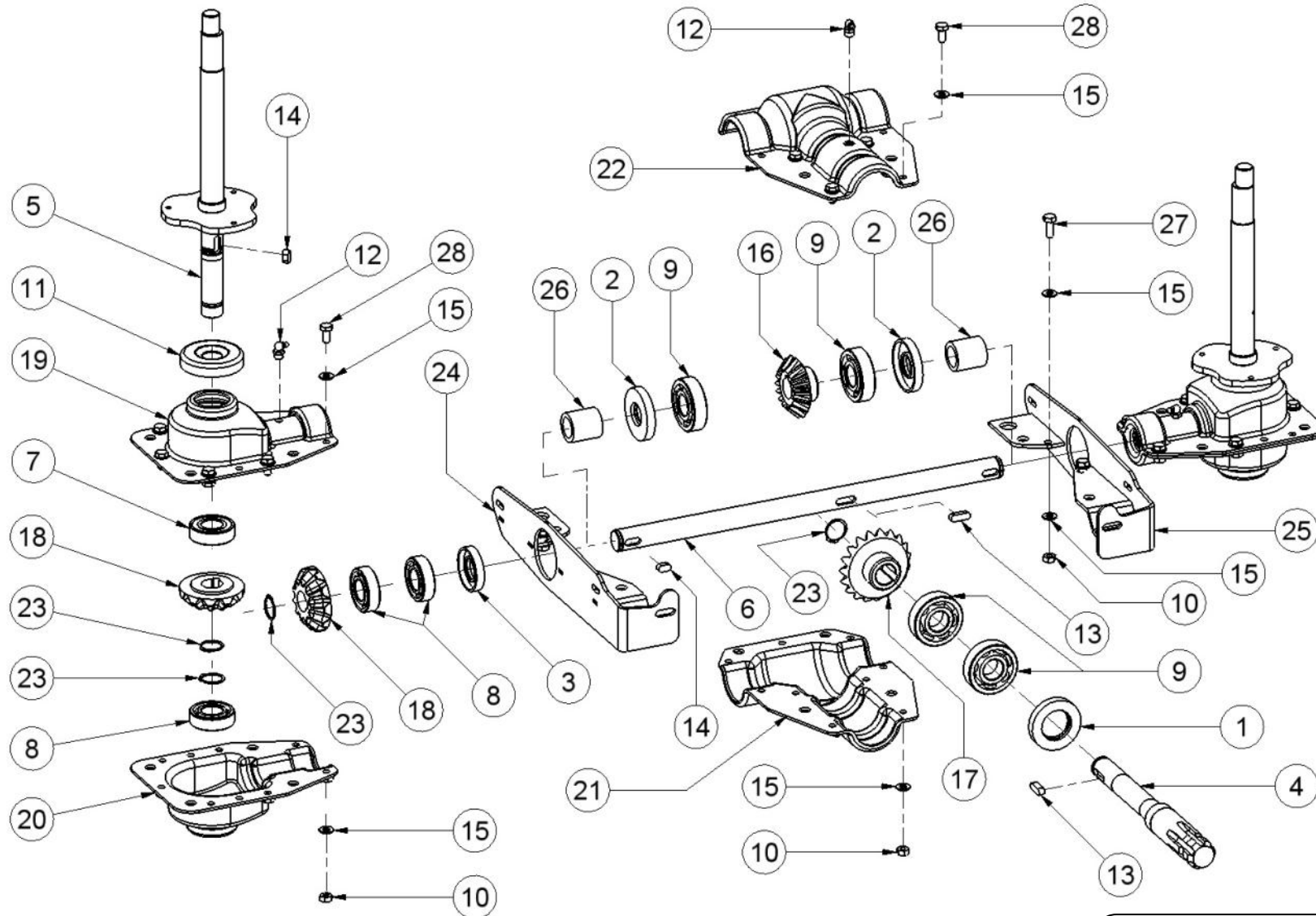
Elemento	Codice	Descrizione	Description	Qtà
1	D001.005	DADO E M 10 INOX UNI 5588	ST. STEEL HEXAGON NUT M 10 UNI 5588	12
2	D001.055	DADO E M 6 STOP INOX UNI 7473 DIN 982	ST.STEEL HEXAGON NUT DM 6 STOP UNI 7473	4
3	D001.071	DADO M 10 DX INOX BASSO UNI 5590 DIN 439	ST.STEEL HEXAGON NUT DM10 UNI 5589	12
4	G005.091	GRUPPO ANGOLO COMPLETO SP 52 OSCILLANTE	COMPLETE ANGLE GEARBOX SP52 FLEXIBLE	1
5	G014.037	GOMM.ANTIVIBRANTE 30X15 M6X15 FF(BD)40SH	RUBBER MOUNTING 30X15 M6X15 MF(BD)40SH	4
6	P012.138	PROTEZ.LATO MACCHINA ALBERO PTO	DRIVE SHAFT PROTECTION	1
7	R005.017	RONDELLA PIANA DM 8 INOX UNI6592 DIN125A	ST.STEEL FLAT WASHER DM 8 UNI 6592	2
8	R005.027	RONDELLA PIANA DM 6 INOX UNI6592DIN125A	ST.STEEL FLAT WASHER DM 6 UNI6592 DIN125	4
9	R005.037	RONDELLA PIANA DM 10X30 INOX UNI6593/69	ST.STEEL FLAT WASHER DM 10X30 UNI6593/69	24
10	R005.103	RONDELLA PIANA DM 6X18X1,5 INOX UNI6593	ST.STEEL FLAT WASHER 6 X 18 X 2 UNI6593	4
11	V003.039	VITE TE 6 X 10 INOX UNI 5739 DIN 933	ST.STEEL HEXAG.HEAD SCREW 6 X 10 UNI5739	4
12	V003.268	VITE TE 10 X 35 INOX UNI 5739	ST.STEEL HEX.HEAD SCREW 10 X 35 UNI 5737	12
13	V003.320	VITE TE 8 X 10 INOX UNI 5739 DIN 933	ST.STEEL HEXAG.HEAD SCREW 8 X 10 UNI5739	2



Modello
Model

EUROSPAND

**DAVID
DAVID FRUIT**



G005.091



Modello
Model

EUROSPAND

DAVID
DAVID FRUIT

Elenco ricambi - Spare parts list

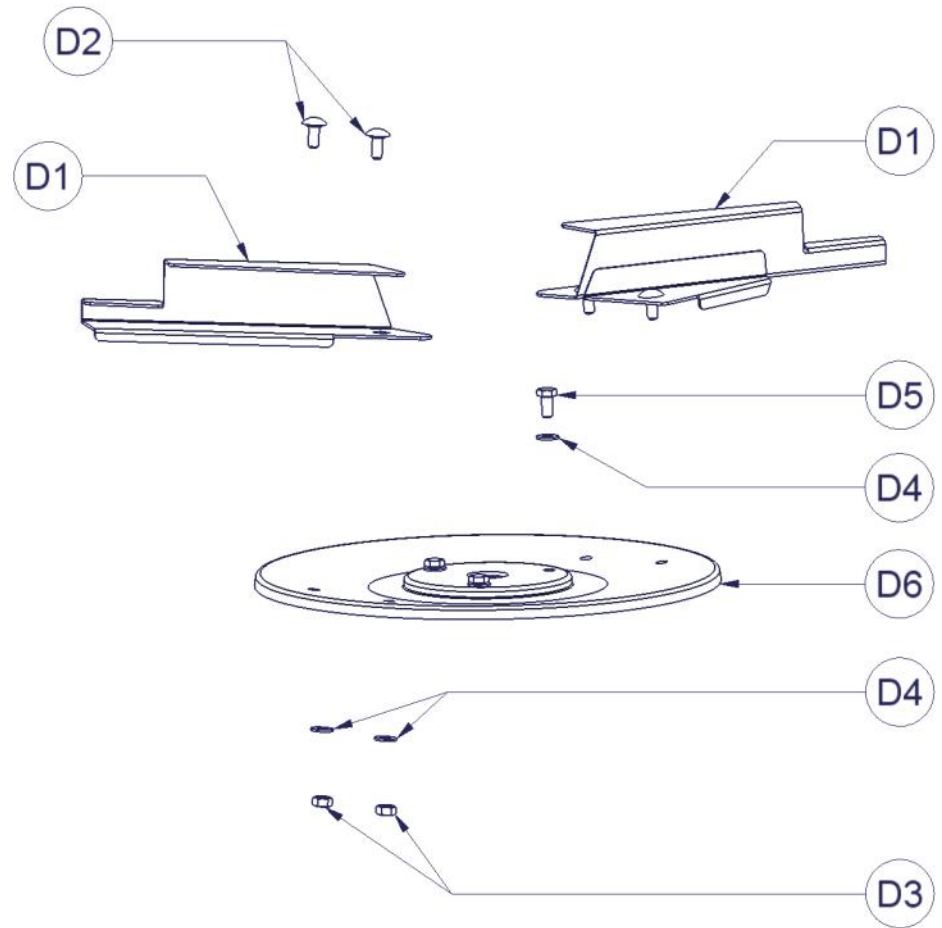
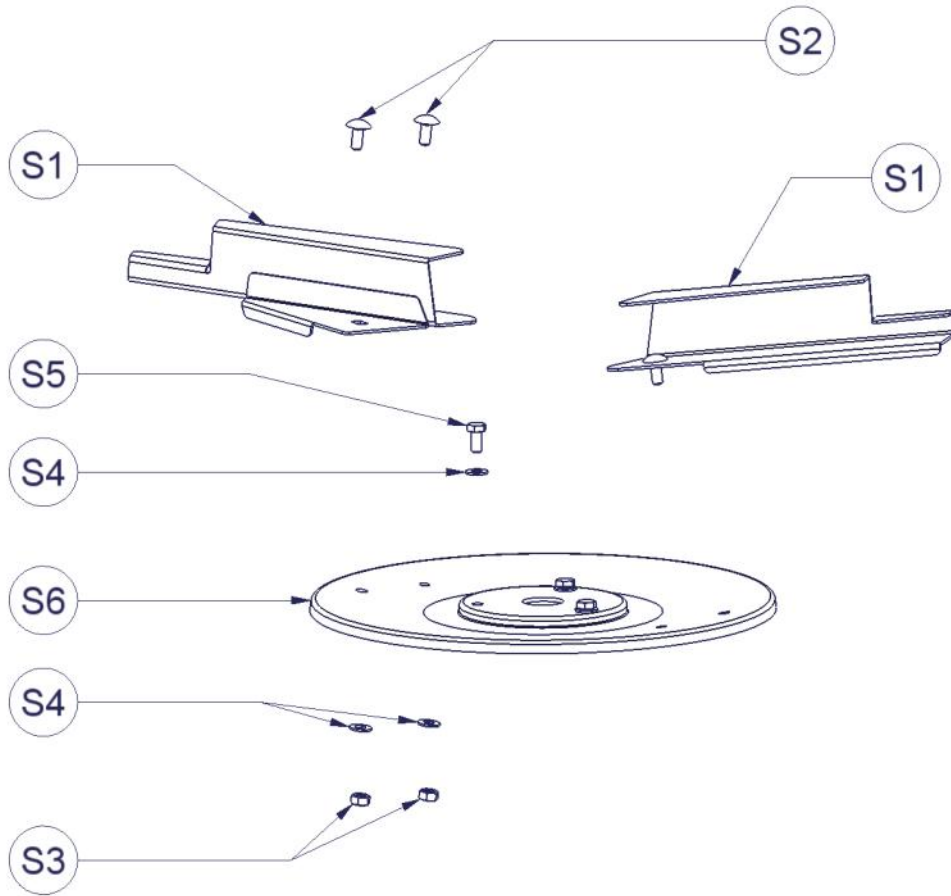
Elemento	Codice	Descrizione	Description	Qtà
1	A003.005	ANELLO TENUTA AS 35X62X10 PARAPOLVERE	OIL SEAL 35X62X10	1
2	A003.013	ANELLO TENUTA AS 25X62X10 PARAPOLVERE	OIL SEAL 25X62X10	2
3	A003.023	ANELLO TENUTA AS 25X52X10 PARAPOLVERE	OIL SEAL 25X52X10	2
4	A005.100	ALBERO ENTRATA P.T.O. 1"3/8 OMB2 DM25	INPUT SHAFT P.T.O. 1"3/8 OMB2 DM25	1
5	A005.171	ALBERO USCITA GRUPPO SP-52-70-95	OUTPUT SHAFT GEARBOX SP-52-70-95	2
6	A005.205	ALBERO TRASVERSALE GRUPPO SP 52	TRANSVER.INNER SHAFT GEARBOX DAVID-COMP.	1
7	C012.001	CUSCINETTO 6205 2RS	BEARING 6205 2RS	2
8	C012.002	CUSCINETTO 6205	BEARING 6205	6
9	C012.008	CUSCINETTO 6305	BEARING 6305	4
10	D001.006	DADO E M 8 INOX UNI 5588	STAINLESS STEEL HEXAGON NUT M8 UNI 5588	21
11	F005.001	FLANGIA COPRIPOLVERE INOX	STAINLESS STEEL DUST PROTECTION FLANGE	2
12	I002.002	INGRASSATORE M 10 X 1,5 90°UNI 7663C	GREASE NIPPLE M 10 X 1,5 90°UNI 7663C	3
13	L005.011	LINGUETTA 7 X 8 X 25	KEY 7 X 8 X 25	2
14	L005.015	LINGUETTA 8 X 7 X 16	KEY 8 X 7 X 16	4
15	R005.017	RONDELLA PIANA DM 8 INOX UNI6592 DIN125A	ST.STEEL FLAT WASHER DM 8 UNI 6592	42
16	R009.003	RUOTA DENT.M4,5 Z15 OMB 2E (MAT.20MNCR5)	TOOTHED WHEEL M4,5 Z 15 OMB 2E	1
17	R009.004	RUOTA DENT.M4,5 Z19 OMB 2E (MAT.20MNCR5)	TOOTHED WHEEL M4,5 Z 19 OMB 2E	1
18	R009.072	RUOTA DENTATA M6,5 Z11 25X45,75 C48	TOOTHED WHEEL M6,5 Z11 25X45,75 C48	4
19	S002.001	SEMISCATOLA SUPERIORE OMB 3	UPPER GEAR HOUSING OMB 3	2
20	S002.002	SEMISCATOLA INFERIORE OMB 3	LOWER GEAR HOUSING OMB 3	2
21	S002.009	SEMISCATOLA INFERIORE OMB 2	LOWER GEAR BOX OMB 2	1
22	S002.056	SEMISCATOLA SUPERIORE OMB 2	UPPER GEAR BOX OMB 2	1
23	S011.001	SEEGER E 25 UNI 7435	RETAINING RING E 25 UNI 7435	7
24	S018.065	STRUTTURA OSCILLANTE DX SP52	RIGHT FLEXIBLE STRUCTURE SP52	1
25	S018.066	STRUTTURA OSCILLANTE SX SP52	LEFT FLEXIBLE STRUCTURE SP52	1
26	T015.028	TUBO GOMMA DI 25 ALBERO SP 52	RUBBER HOSE INS.DIAM.25 SHAFT SP52	2
27	V003.008	VITE TE 8 X 20 INOX UNI 5739	ST.STEEL HEXAGON HEAD SCREW 8X20 UNI5739	4
28	V003.014	VITE TE 8 X 16 INOX UNI 5739 DIN933	ST.STEEL HEXAGON HEAD SCREW 8X16 UNI5739	17



Modello
Model

EUROSPAND

**DAVID
DAVID FRUIT**



Modello
Model

EUROSPAND

DAVID

Elenco ricambi - Spare parts list

Elemento	Codice	Descrizione	Description	Qtà
S1	P001.058	PALETTA SX 230 MM COMPLETA 18MT	COMPLETE LEFT VANE J/Z 230MM - 18M	2
S1	P001.054	PALETTA SX 180 MM COMPLETA 15M	COMPLETE LEFT VANE 180MM - 15M	2
S2	V003.007	VITE TB 8 X 16 INOX DIN 603	ST.STEEL CUP SQUARE SCREW 8X16 DIN 603	4
S3	D001.037	DADO E M 8 STOP INOX BASSO UNI 7474	STAINLESS STEEL HEXAGON NUT M8 UNI 7474	4
S4	R005.017	RONDELLA PIANA DM 8 INOX UNI6592 DIN125A	ST.STEEL FLAT WASHER DM 8 UNI 6592	7
S5	V003.014	VITE TE 8 X 16 INOX UNI 5739 DIN933	ST.STEEL HEXAGON HEAD SCREW 8X16 UNI5739	3
S6	D002.062	DISCO SPARG. SX K2 CX 24-28 SP 52-70-95	LEFT SPREAD.DISC K2 CX24-28 SP 52-70-95	1

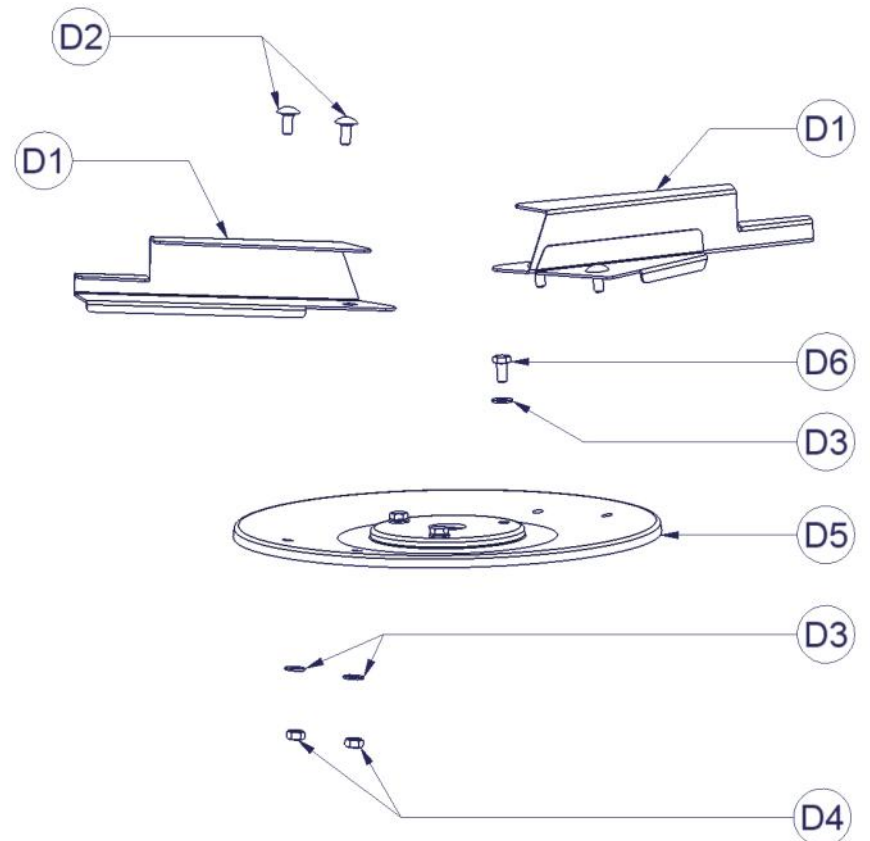
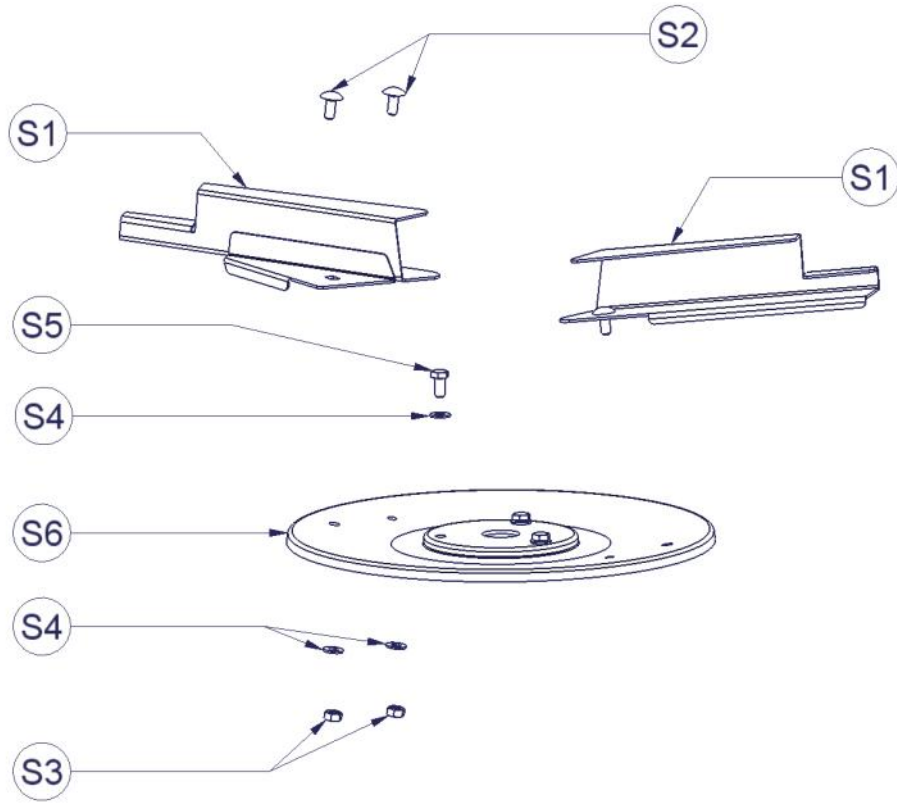
Elemento	Codice	Descrizione	Description	Qtà
D1	P001.057	PALETTA DX 230 MM COMPLETA 18MT	COMPLETE RIGHT VANE J/Z 230MM - 18M	2
D1	P001.053	PALETTA DX 180 MM COMPLETA 15M	COMPLETE RIGHT VANE 180 MM - 15M	2
D2	V003.007	VITE TB 8 X 16 INOX DIN 603	ST.STEEL CUP SQUARE SCREW 8X16 DIN 603	4
D3	D001.037	DADO E M 8 STOP INOX BASSO UNI 7474	STAINLESS STEEL HEXAGON NUT M8 UNI 7474	4
D4	R005.017	RONDELLA PIANA DM 8 INOX UNI6592 DIN125A	ST.STEEL FLAT WASHER DM 8 UNI 6592	7
D5	V003.014	VITE TE 8 X 16 INOX UNI 5739 DIN933	ST.STEEL HEXAGON HEAD SCREW 8X16 UNI5739	3
D6	D002.060	DISCO SPARG. DX K2 CX 24-28 SP 52-70-95	RIGHT SPREADER DISC K2CX24-28 SP52-70-95	1



Modello
Model

EUROSPAND

DAVID



Modello
Model

EUROSPAND

DAVID FRUIT

Elenco ricambi - Spare parts list

Elemento	Codice	Descrizione	Description	Qtà
S1	P001.099	PALETTA MM 140 SX COMPLETA 12MT	COMPLETE LEFT VANE MM140	2
S2	V003.007	VITE TB 8 X 16 INOX DIN 603	ST.STEEL CUP SQUARE SCREW 8X16 DIN 603	4
S3	D001.006	DADO E M 8 INOX UNI 5588	STAINLESS STEEL HEXAGON NUT M8 UNI 5588	4
S4	R005.017	RONDELLA PIANA DM 8 INOX UNI6592 DIN125A	ST.STEEL FLAT WASHER DM 8 UNI 6592	7
S5	V003.014	VITE TE 8 X 16 INOX UNI 5739 DIN933	ST.STEEL HEXAGON HEAD SCREW 8X16 UNI5739	3
S6	D002.062	DISCO SPARG. SX K2 CX 24-28 SP 52-70-95	LEFT SPREAD.DISC K2 CX24-28 SP 52-70-95	1

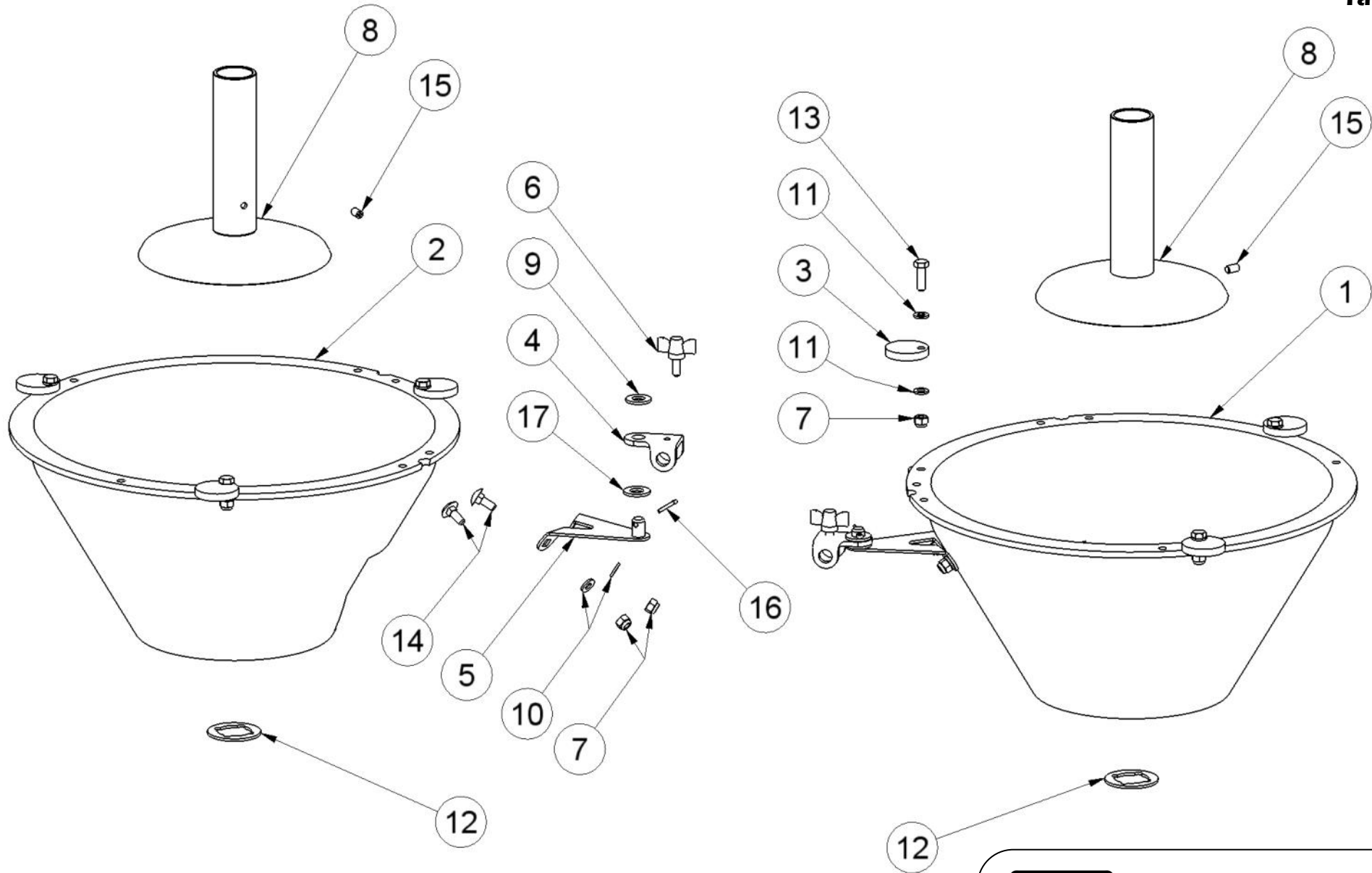
Elemento	Codice	Descrizione	Description	Qtà
D1	P001.100	PALETTA MM 140 DX COMPLETA 12MT	COMPLETE RIGHT VANE MM140	2
D2	V003.007	VITE TB 8 X 16 INOX DIN 603	ST.STEEL CUP SQUARE SCREW 8X16 DIN 603	4
D3	R005.017	RONDELLA PIANA DM 8 INOX UNI6592 DIN125A	ST.STEEL FLAT WASHER DM 8 UNI 6592	7
D4	D001.006	DADO E M 8 INOX UNI 5588	STAINLESS STEEL HEXAGON NUT M8 UNI 5588	4
D5	D002.060	DISCO SPARG. DX K2 CX 24-28 SP 52-70-95	RIGHT SPREADER DISC K2CX24-28 SP52-70-95	1
D6	V003.014	VITE TE 8 X 16 INOX UNI 5739 DIN933	ST.STEEL HEXAGON HEAD SCREW 8X16 UNI5739	3



Modello
Model

EUROSPAND

DAVID FRUIT



Modello
Model

EUROSPAND

DAVID
DAVID FRUIT

Elenco ricambi - Spare parts list

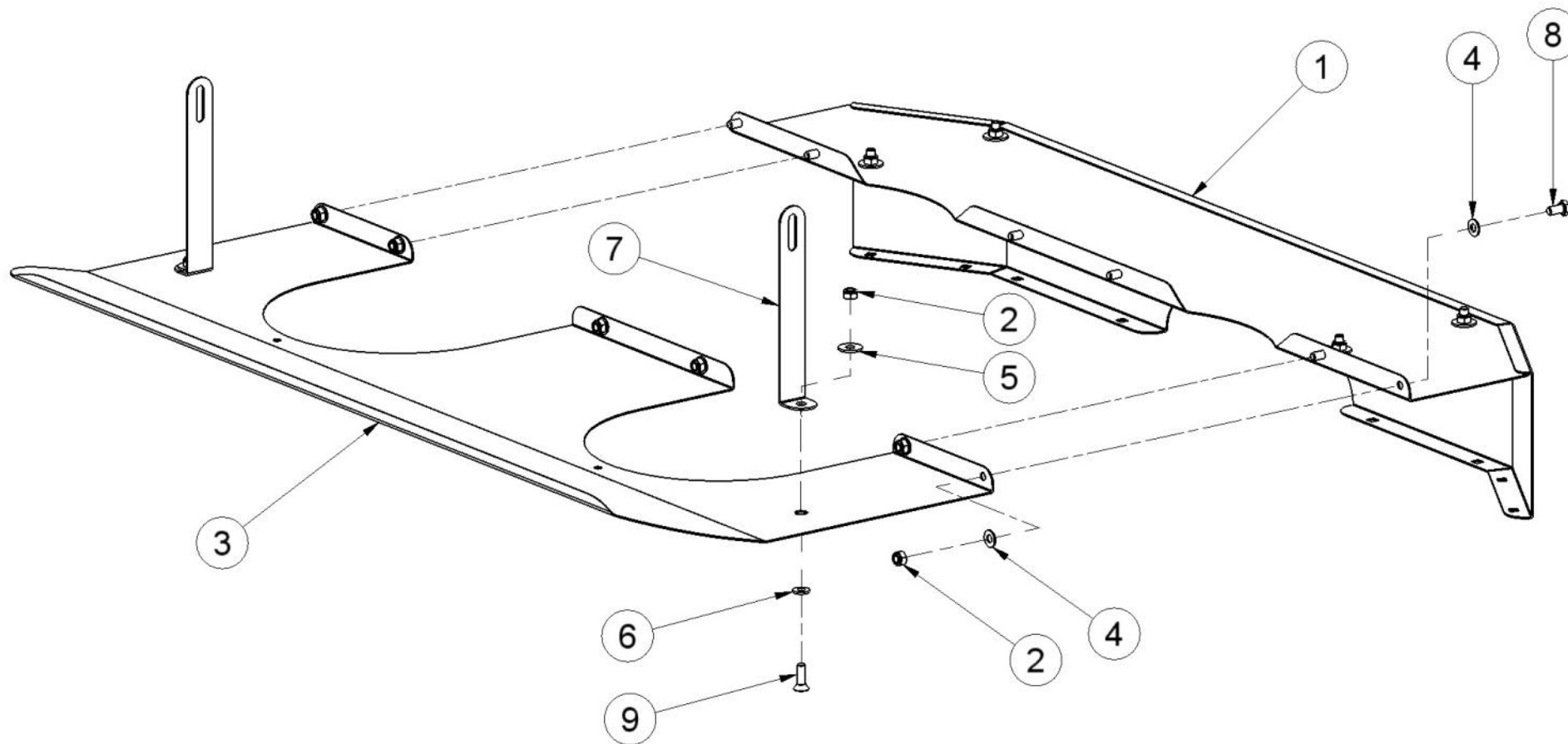
Elemento	Codice	Descrizione	Description	Qtà
1	A007.102	ALIMENTATORE VTR SX SP52	LEFT FIBERGLASS FEEDING BOWL SP 52	1
2	A007.103	ALIMENTATORE VTR DX SP52	RIGHT FIBERGLASS FEEDING BOWL SP 52	1
3	B002.008	BLOCCAGGIO ECCENTRICO ALIMENTATORE	ECCENTRIC PLASTIC RING	6
4	B002.009	BLOCCAGGIO ANTICIPO RITARDO ALIMENTATORE	ANTICIPATION/DELAY FEEDER BLOCK CLAMP	2
5	B007.022	BRACCIO ORIENTAMENTO ALIMENTATORE SP52	ARM ORIENT. FEED VTR SP52	2
6	I006.027	GALLETTO M6X15 M (PLA9548)INOX	WING NUT AND BOLT M6X15 M	2
7	D001.055	DADO E M 6 STOP INOX UNI 7473 DIN 982	ST.STEEL HEXAGON NUT DM 6 STOP UNI 7473	10
8	D002.086	DISCO ALIMENTATORE Z/J C/D COMPLETO	COMPLETE FEED. DISC Z/J C/D (ST.STEEL)	2
9	R005.013	RONDELLA PIANA DM10 INOX UNI6592 DIN125A	ST. STEEL FLAT WASHER DM10 UNI6592	2
10	R005.027	RONDELLA PIANA DM 6 INOX UNI6592DIN125A	ST.STEEL FLAT WASHER DM 6 UNI6592 DIN125	4
11	R005.057	RONDELLA PIANA DM 6X12 INOX UNI6592	ST.STEEL FLAT WASHER DM 6X12 UNI6592	12
12	R005.111	RONDELLA 27X42X2 INOX	WASHER 27X42X2	2
13	V003.027	VITE TE 6 X 20 INOX UNI 5739	ST.STEEL HEXAGON HEAD SCREW 6X20 UNI5739	6
14	V003.243	VITE TB 6 X 16 INOX DIN 603	ST.STEEL CUP SQUARE SCREW 6X16 DIN 603	4
15	V003.318	VITE STEI 6 X 10 INOX UNI 5927	ST.STEEL SCREW 6X10 UNI 5927	2
16	C019.015	COPPIGLIA SPACCATA 2,5 X 25 INOX UNI1336	STAINLESS STEEL SPLIT PIN 2,5 X 25	2
17	R005.085	RONDELLA NYLON 10 X 21 X 2	NYLON WASHER 10 X 21 X 2	2



Modello
Model

EUROSPAND

**DAVID
DAVID FRUIT**



EUROSPAND
Modello
Model **DAVID**

Elenco ricambi - Spare parts list

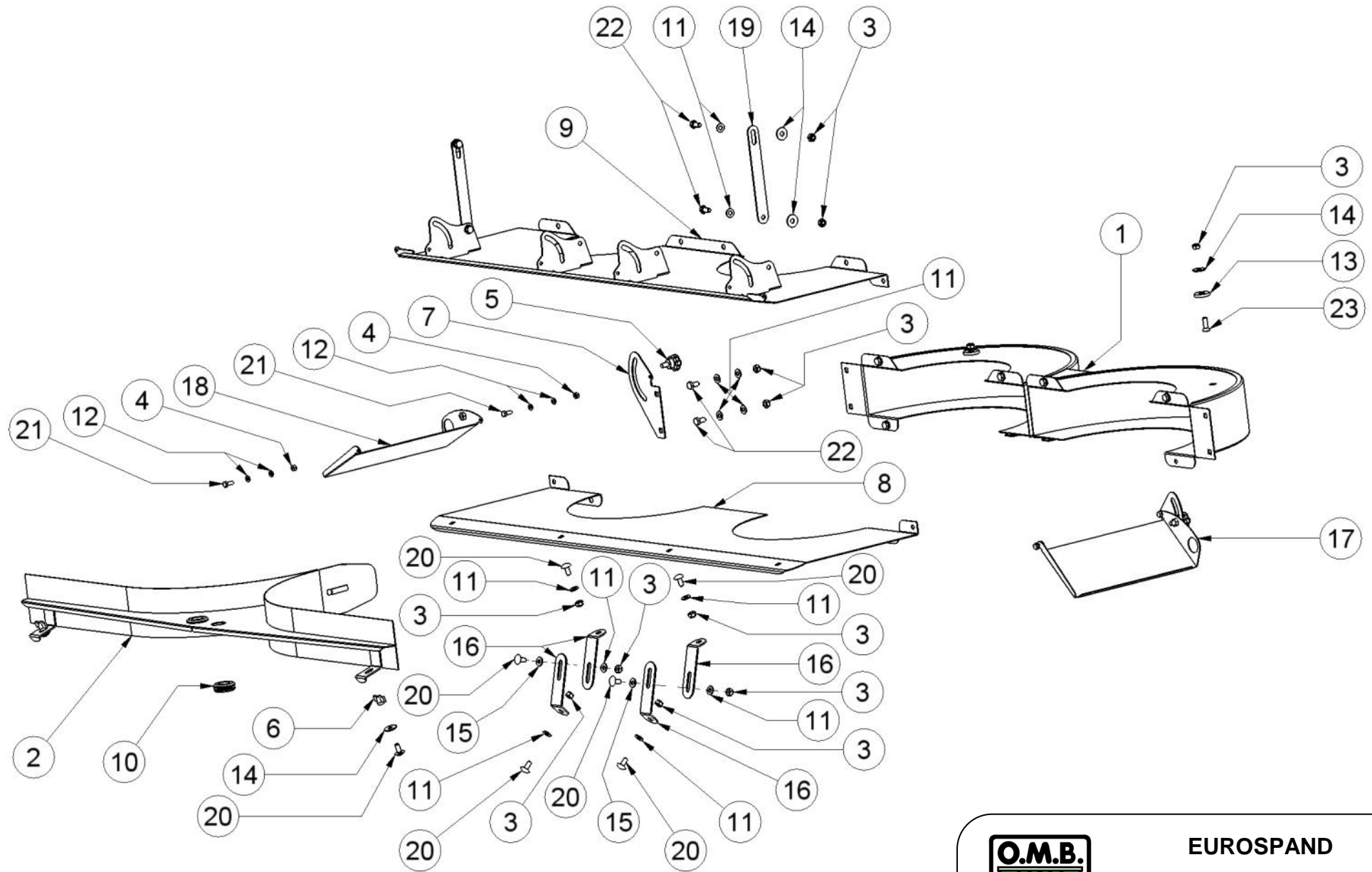
Elemento	Codice	Descrizione	Description	Qtà
1	C006.169	CARTER ANTERIORE COMPLETO SP 52	COMPLETE FRONT CASING SP52	1
2	D001.031	DADO E M 8 STOP INOX UNI 7473	ST.STEEL HEXAGON NUT DM 8 STOP UNI 7473	12
3	P012.124	PROTEZIONE ANTITURBO SP52	STAIN.STEEL ANTITURB. PROTECTION SP52-03	1
4	R005.017	RONDELLA PIANA DM 8 INOX UNI6592 DIN125A	ST.STEEL FLAT WASHER DM 8 UNI 6592	12
5	R005.080	RONDELLA PIANA DM 8X24 INOX UNI 6593	STAINLESS STEEL FLAT WASHER 8X24 UNI6593	6
6	R005.084	RONDELLA NYLON 8 X 17 X 2	NYLON WASHER 8X17X2	6
7	S008.262	STAFFA LAT FIX ANTIT.SP52-70-95+PROT.33E	SIDE CLAMP (ANTITURBULENCE FIX.)	2
8	V003.014	VITE TE 8 X 16 INOX UNI 5739 DIN933	ST.STEEL HEXAGON HEAD SCREW 8X16 UNI5739	6
9	V003.326	VITE TSPEI 8 X 25 INOX UNI 5933	STAINLESS STEEL SCREW TSPEI 8X25 UNI5933	6



Modello
Model

EUROSPAND

DAVID



EUROSPAND
Modello
Model **DAVID FRUIT**

Elenco ricambi - Spare parts list

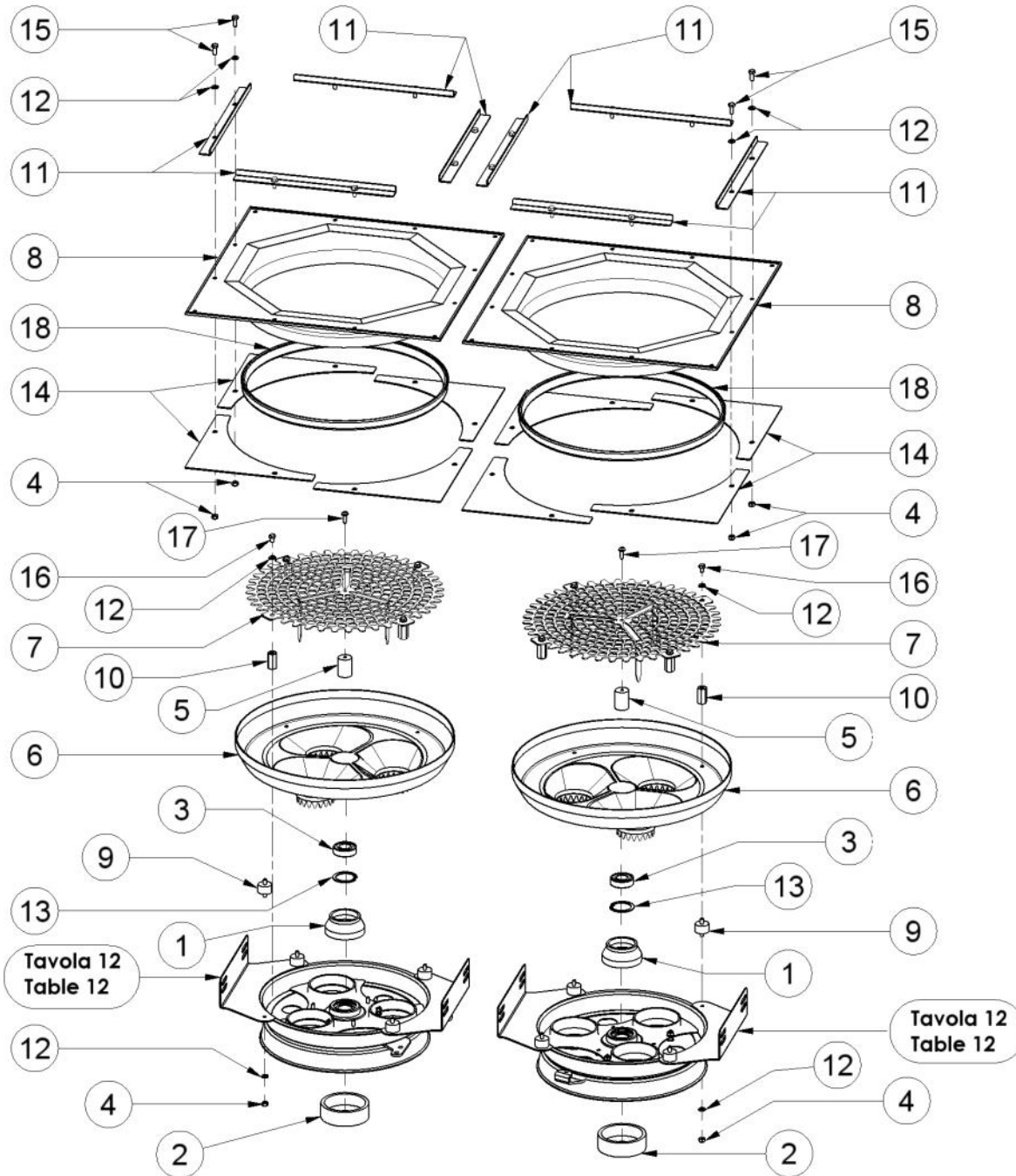
Elemento	Codice	Descrizione	Description	Qtà
1	C006.193	CARTER ANTERIORE COMPLETO FRUIT	COMPLETE FRONT CASING (FRUIT VERSION 06)	1
2	C006.194	CARTER POSTERIORE CHIUSURA COMPL. FRUIT	COMPL.REAR CLOSURE CASING (FRUIT-06)	1
3	D001.031	DADO E M 8 STOP INOX UNI 7473	ST.STEEL HEXAGON NUT DM 8 STOP UNI 7473	22
4	D001.077	DADO E M 6 INOX STOP BASSO UNI 7474	STAINLESS STEEL HAXAGON NUT DM6 UNI 7474	4
5	I006.002	VOLANTINO DM 8X15 DE 30 (PLA 9930)	KNOB DM 8X15 EXT. DIAM 30 (PLA 9930)	2
6	I006.021	GALLETTO M8 F(PLA 9548/8)	WING NUT M8 F(PLA 9548)	2
7	O003.218	ORECCHIA FULCRO DEFLETTORE FRUIT	DEFLECTOR FULCRUM HORN(FRUIT VERSION 06)	2
8	P012.141	PROTEZ. ANTITURBO POST. INF.COMPL. FRUIT	COMPL.LOW.REAR ATITURB. PROTECTION FRUIT	1
9	P012.142	PROTEZ. ANTITURBO POST. SUP.COMPL. FRUIT	COMPL.UPP.REAR ANTITURB.PROTECTION FRUIT	1
10	P018.001	PASSACAVO PER FORO DM30 (MOD 2040)	PLASTIC RING DM 30 (MOD.2040)	2
11	R005.017	RONDELLA PIANA DM 8 INOX UNI6592 DIN125A	ST.STEEL FLAT WASHER DM 8 UNI 6592	30
12	R005.057	RONDELLA PIANA DM 6X12 INOX UNI6592	ST.STEEL FLAT WASHER DM 6X12 UNI6592	8
13	R005.065	RONDELLA NYLON 30 X 12 X 5	NYLON WASHER 30X12X5	2
14	R005.080	RONDELLA PIANA DM 8X24 INOX UNI 6593	STAINLESS STEEL FLAT WASHER 8X24 UNI6593	8
15	R005.084	RONDELLA NYLON 8 X 17 X 2	NYLON WASHER 8X17X2	2
16	S010.268	SUPPORTO INF.ANTITURBO INFERIORE FRUIT	LOWER ANTITURBULENCE SUPPORT FRUIT 2006	4
17	S012.068	SARACINESCA CONV DX INOX SP52	ST.STEEL CONVEYOR RIGHT SHUTTER	1
18	S012.069	SARACINESCA CONV SX SP52	ST.STEEL CONVEYOR LEFT SHUTTER	1
19	T008.132	TIRANTE FIX ANTITURBO SUP FRUIT 05	UPPER FIXING ANTURBO.TIE ROD FRUIT 05	2
20	V003.007	VITE TB 8 X 16 INOX DIN 603	ST.STEEL CUP SQUARE SCREW 8X16 DIN 603	8
21	V003.012	VITE TE 6 X 16 INOX UNI 5739	ST.STEEL HEXAGON HEAD SCREW 6X16 UNI5739	4
22	V003.014	VITE TE 8 X 16 INOX UNI 5739 DIN933	ST.STEEL HEXAGON HEAD SCREW 8X16 UNI5739	14
23	V003.326	VITE TSPEI 8 X 25 INOX UNI 5933	STAINLESS STEEL SCREW TSPEI 8X25 UNI5933	2



Modello
Model

EUROSPAND

DAVID FRUIT



EUROSPAND
Modello
Model
DAVID
DAVID FRUIT

Elenco ricambi - Spare parts list

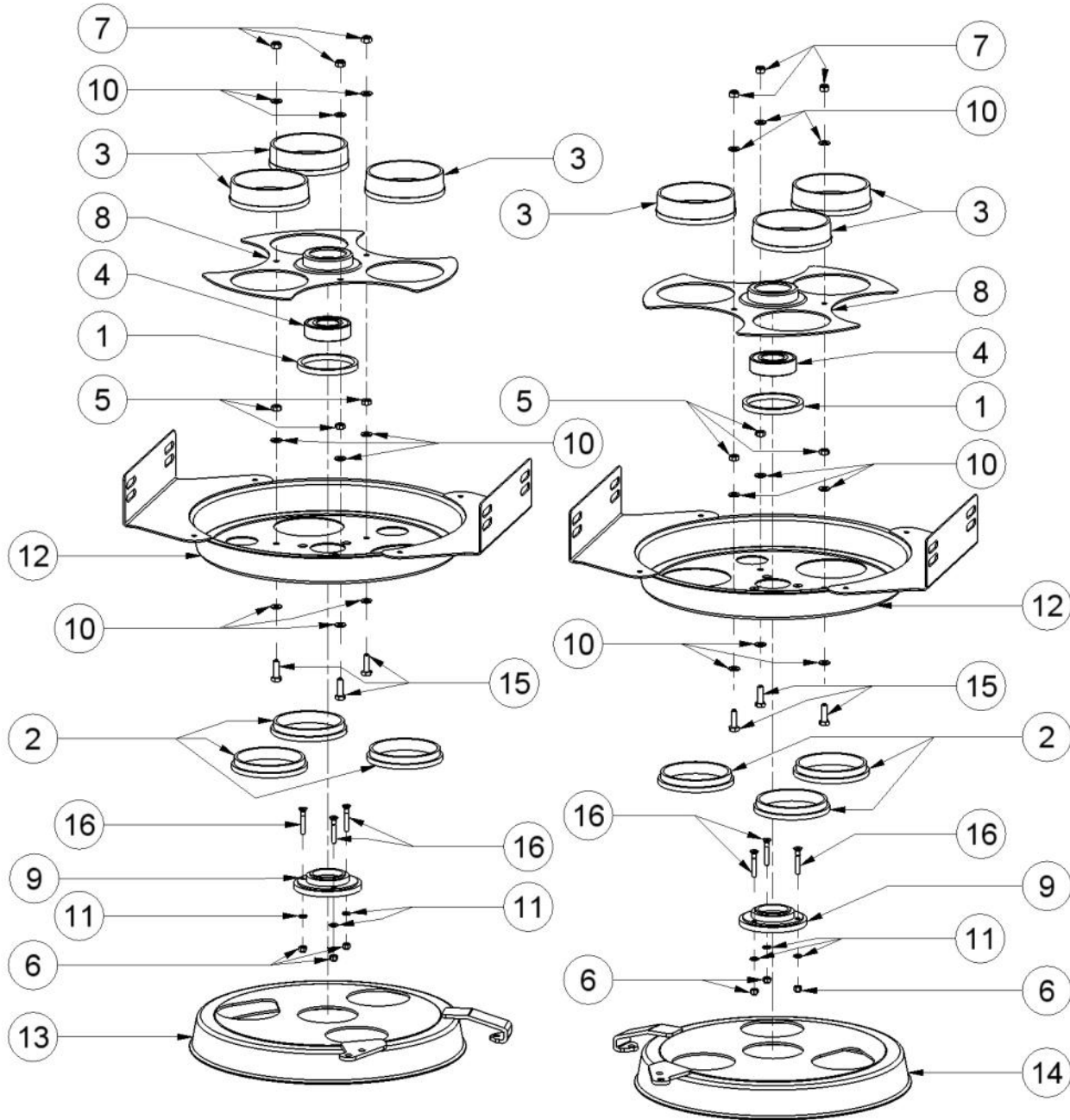
Elemento	Codice	Descrizione	Description	Qtà
1	A003.060	ANELLO IN GOMMA 72X48X33 ALIMENTAT.VIBRO	RUBBER RING 72X48X33 (VIBRO FEEDER)	2
2	A003.062	ANELLO IN GOMMA 87X27X28 ALIMENT.VIBRO	RUBBER RING 87X27X28 (VIBRO FEEDER)	2
3	C012.074	CUSCINETTO 6004 2RS	BEARING 6004 2RS	2
4	D001.077	DADO E M 6 INOX STOP BASSO UNI 7474	STAINLESS STEEL HAXAGON NUT DM6 UNI 7474	24
5	D004.039	DISTANZIALE CENTRALE GRIGLIA VIBRO	CENTRAL SPACER (VIBRO GRID)	2
6	D005.072	FONDO VIBRANTE INOX 2007 COMPLETO	ST.STEEL COMPLETE VIBRATING BOTTOM 2007	2
7	G003.084N	GRIGLIA VIBRO DOPPI PIATTI 2008	DOUBLE DISC VIBRO GRID 2008 - WITH RING	2
8	G013.016	GUARNIZIONE OTTAGONALE TRAMOGGIA	OCTAGONAL HOPPER GASKET SEAL	2
9	G014.034	GOMMINO ANTIVIBRANTE 30X15 M6X15 MM SH40	RUBBER MOUNTING 30X15 M6X15 MM SH40	8
10	N003.008	NOTTOLINO ESAGONALE INOX FISSAGG.GRIGLIA	ST.STEEL HEXAGON PAWL (FIX.GRID)	8
11	P005.234	PIASTRA TEL.FIX.SUP.G013.016	UPPER FRAME FIXING PLATE G013.016	8
12	R005.027	RONDELLA PIANA DM 6 INOX UNI6592DIN125A	ST.STEEL FLAT WASHER DM 6 UNI6592 DIN125	32
13	S011.028	SEEGER I 42 UNI 7437	ST.STEEL RETAINING RING I 42 UNI 7437	2
14	T013.260	TRAVERSINE PORTA GUARNIZIONE TRAMOGGIA	GASKET SUPPORT CROSS-TIES (HOPPER)	8
15	V003.012	VITE TE 6 X 16 INOX UNI 5739	ST.STEEL HEXAGON HEAD SCREW 6X16 UNI5739	16
16	V003.039	VITE TE 6 X 10 INOX UNI 5739 DIN 933	ST.STEEL HEXAG.HEAD SCREW 6 X 10 UNI5739	8
17	V003.325	VITE A2 AUTOF TC 6,3X19 UNI 6954 AB	ST.STEEL SCREW A2 AUTOF 6,3X19 UNI6954	2
18	A003.088	ANELLO 8X18 NY-VT DM 374	RING 8X18 NY-VT DM 374	2



Modello
Model

EUROSPAND

**DAVID
DAVID FRUIT**



Modello
Model

EUROSPAND
DAVID
DAVID FRUIT

Elenco ricambi - Spare parts list

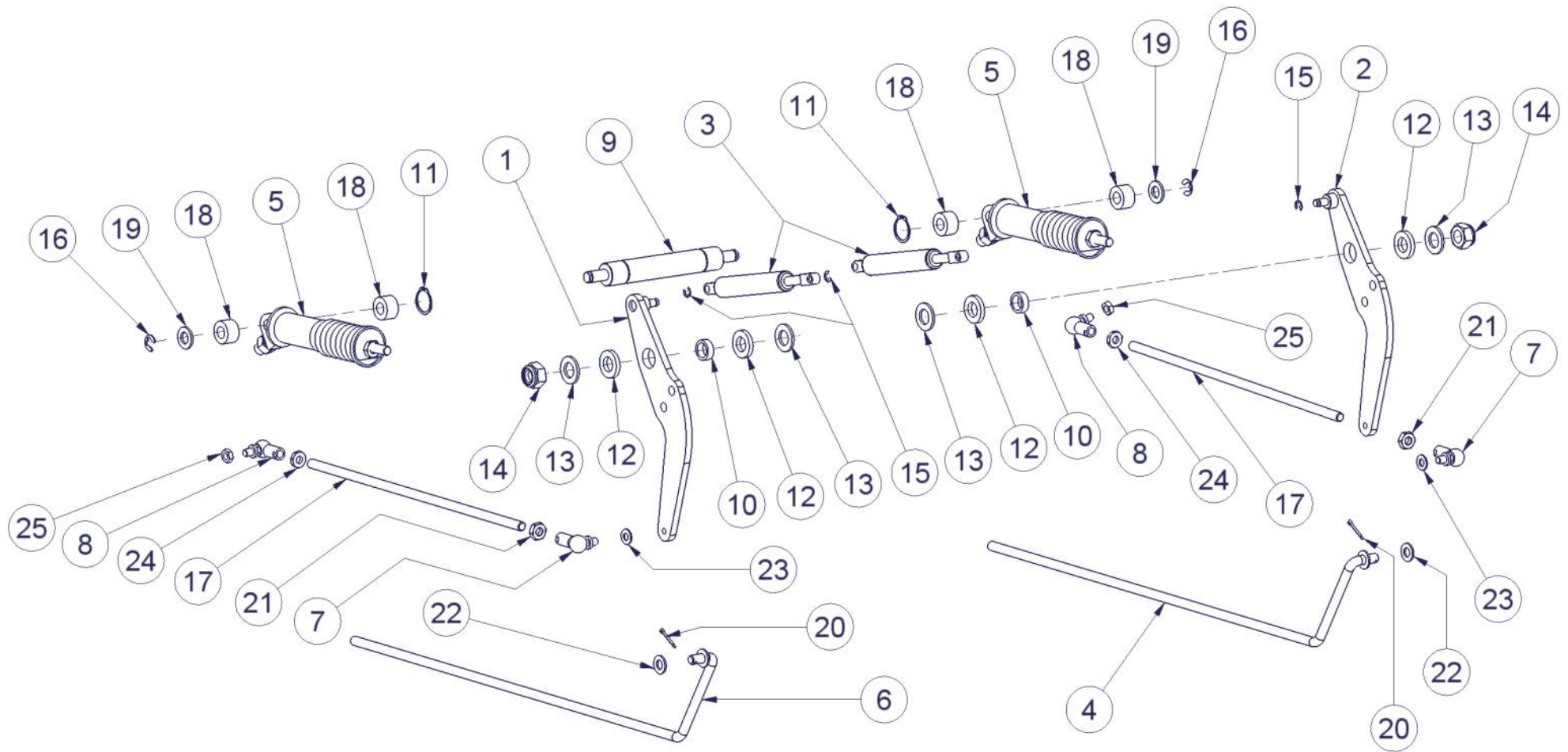
Elemento	Codice	Descrizione	Description	Qtà
1	A003.061	ANELLO IN GOMMA 68X60X6 ALIMENTAT.VIBRO	RUBBER RING 68X60X6 (VIBRO FEEDER)	2
2	A003.085	ANELLO PLASTICA 85X73X13 PER SARACINESCA	SHUTTER PLASTIC RING DM 73	6
3	A003.086	ANELLO IN GOMMA 89X73X25 ALIMENTAT.VIBRO	VIBRO FEEDER RUBBER RING 73X25	6
4	C012.001	CUSCINETTO 6205 2RS	BEARING 6205 2RS	2
5	D001.010	DADO E M 6 INOX UNI 5588	STAINLESS STEEL HEXAGON NUT M 6 UNI 5588	6
6	D001.075	DADO E M 5 INOX STOP BASSO UNI 7474	STAINLESS STEEL HEXAGON NUT DM5 UNI 7474	6
7	D001.077	DADO E M 6 INOX STOP BASSO UNI 7474	STAINLESS STEEL HAXAGON NUT DM6 UNI 7474	6
8	D002.095	DISCO INTERMEDIO ALIMENTATORE SP52-70-95	FEEDER INTERMEDIATE DISC SP52-70-95	2
9	F005.045	FLANGIA ROTAZIONE SARACINESCA	FLANGE SHUTTER ROTATION	2
10	R005.027	RONDELLA PIANA DM 6 INOX UNI6592DIN125A	ST.STEEL FLAT WASHER DM 6 UNI6592 DIN125	18
11	R005.041	RONDELLA DM 5X10 INOX UNI 6592	STAINLESS STEEL WASHER DM 5X10 UNI 6592	6
12	S012.092	SARACINESCA FISSA SP 52-70-95 COMPLETA	COMPLETE FIXED SHUTTER SP 52-70-95	2
13	S012.095	SARACINESCA MOBILE SX COMPLETA SP 52	COMPLETE MOBILE LEFT SHUTTER SP 52	1
14	S012.096	SARACINESCA MOBILE DX COMPLETA SP 52	COMPLETE MOBILE RIGHT SHUTTER SP 52	1
15	V003.027	VITE TE 6 X 20 INOX UNI 5739	ST.STEEL HEXAGON HEAD SCREW 6X20 UNI5739	6
16	V003.314	VITE TSPEI 5 X 25 INOX UNI 5933	ST.STEEL SOCK.FLAT HEAD SCR.5X25 UNI5933	6



Modello
Model

EUROSPAND

**DAVID
DAVID FRUIT**



EUROSPAND
Modello
Model **DAVID**
DAVID FRUIT

Elenco ricambi - Spare parts list

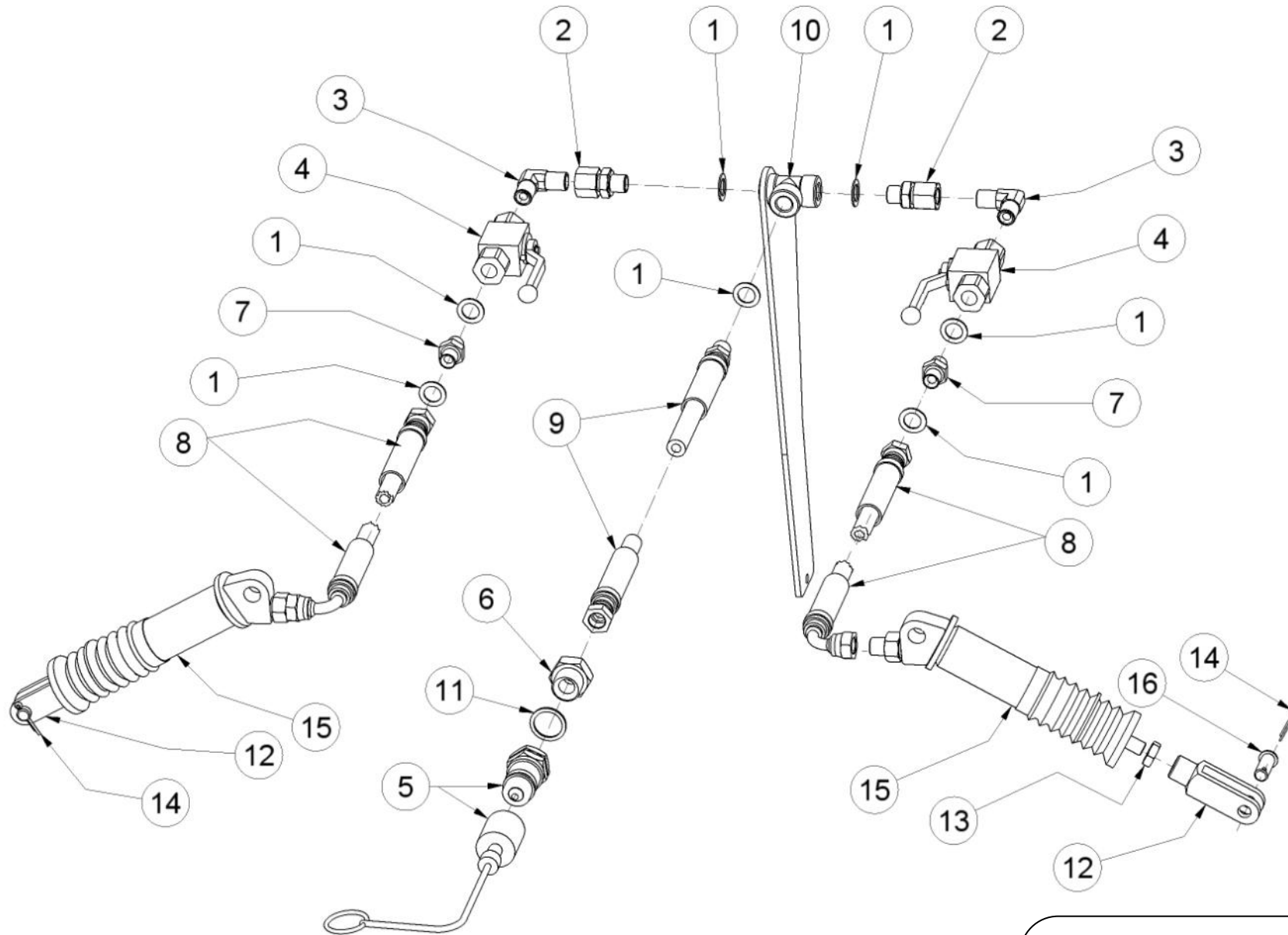
Elemento	Codice	Descrizione	Description	Qtà
1	L003.148	LEVA COMANDO DX COMPLETA SP52	COMPLETE RIGHT CONTROL LEVER SP52	1
2	L003.149	LEVA COMANDO SX COMPLETA SP52	COMPLETE LEFT CONTROL LEVER SP52	1
3	M003.039	MOLLA A GAS 16-4-11279 1150 N.CORSA 85MM	GAS SHOCK ABSORBER (1150N.85MM STRETCH)	2
4	T008.123	TIRANTE REGOLAZIONE ORIENTAMENTO SP52 SX	ORIENT. ADJUST. TIE ROD (LEFT) SP52	1
5	C013.024	CILINDRO A20 C62 SP52/70/95/PXT	CYLINDER 20 C62 NEW TYPE	2
6	T008.122	TIRANTE REGOLAZIONE ORIENTAMENTO SP52 DX	ORIENT. ADJUST. TIE ROD (RIGHT) SP52	1
7	C001.008	SNODO ANGOLARE M10 DM13 M8X10 INOX DX	STAINLESS ST.JOINT M10 DM13 M8X10(RIGHT)	2
8	C001.009	SNODO ANGOLARE M10 DM13 M8X10 INOX SX	STAINLESS ST.JOINT M10 DM13 M8X10 (LEFT)	2
9	A005.203	ALBERO FULCRO CILINDRO SP 52	CYLINDER FULCRUM SHAFT SP52	1
10	B004.206	BOCCOLA FULCRO LEVE SP52/70/95/70NEW	LEVER FULCRUM BUSHING SP52	2
11	S011.001	SEEGER E 25 UNI 7435	RETAINING RING E 25 UNI 7435	2
12	R005.079	RONDELLA NYLON 30 X 16 X 5	NYLON WASHER 30 X 16 X 5	4
13	R005.053	RONDELLA PIANA DM 16 INOX UNI 6592	ST.STEEL FLAT WASHER DM 16 UNI 6592	4
14	D001.026	DADO E M 16 STOP INOX BASSO UNI 7474	STAINLESS STEEL HEXAGON NUT DM16 UNI7424	2
15	S011.011	SEEGER 6 UNI 7434 DIN 6799 INOX	ST.STEEL RETAINING RING 6 UNI 7434	4
16	S011.026	SEEGER 9 UNI 7434 INOX	STAINLESS STEEL RETAINING RING 9 UNI7434	2
17	T008.111	TIRANTE M10 DX M10 SX L=375 SP 52 INOX	STAIN. STEEL TIE ROD M10 DX M10 LEFT	2
18	D004.050	DISTANZIALE CILINDRI IDRAULICI SP 52	HYDRALIC RAM SPACER SP52	4
19	R005.018	RONDELLA PIANA DM12 INOX UNI6592 DIN125A	ST.STEEL FLAT WASHER DM12 UNI 6592	2
20	C019.015	COPPIGLIA SPACCATA 2,5 X 25 INOX UNI1336	STAINLESS STEEL SPLIT PIN 2,5 X 25	2
21	D001.071	DADO M 10 DX INOX BASSO UNI 5590 DIN 439	ST.STEEL HEXAGON NUT DM10 UNI 5589	4
22	R005.013	RONDELLA PIANA DM10 INOX UNI6592 DIN125A	ST. STEEL FLAT WASHER DM10 UNI6592	2
23	R005.017	RONDELLA PIANA DM 8 INOX UNI6592 DIN125A	ST.STEEL FLAT WASHER DM 8 UNI 6592	2
24	D001.069	DADO M10 SX INOX BASSO UNI 5590 DIN 439	ST.STEEL HEXAGON NUT LEFT DM10 UNI 5589	2
25	D001.030	DADO E M 8 BASSO INOX UNI 5589	ST.STEEL HEXAGON NUT DM 8 UNI 5589	2



Modello
Model

EUROSPAND

**DAVID
DAVID FRUIT**



Modello
Model

EUROSPAND
DAVID
DAVID FRUIT

Elenco ricambi - Spare parts list

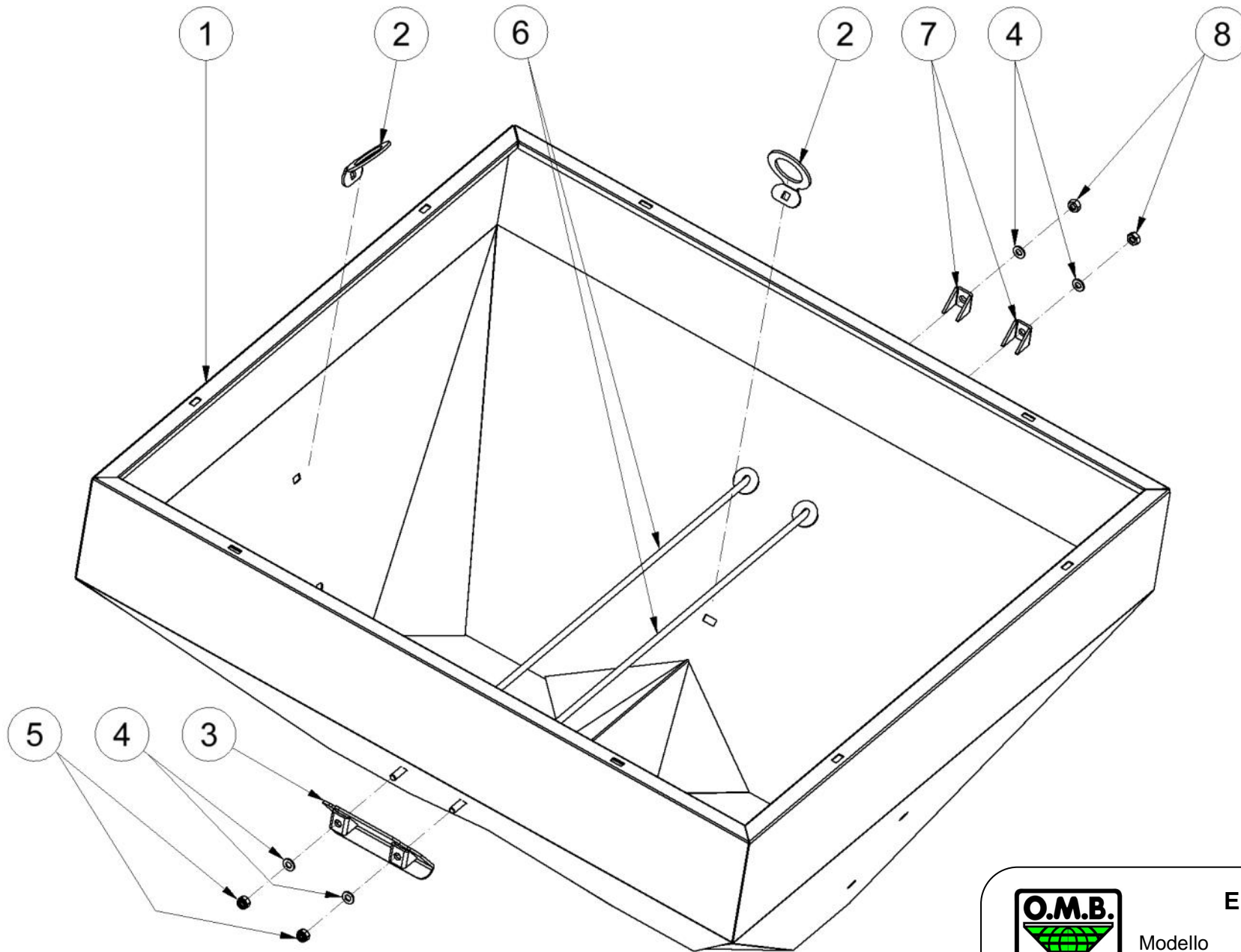
Elemento	Codice	Descrizione	Description	Qtà
1	R005.030	RONDELLA PIANA 1/4" RAME	COPPER FLAT WASHER 1/4"	7
2	R001.026	ADATTATORE 1/4M 1/4"F GIREVOLE	ORIENTABLE ADAPTER 1/4"M 1/4"F	2
3	R001.009	RACCORDO GOMITO 1/4" 90°	ADAPTER 1/4" 90°	2
4	V004.002	VALVOLA RUBINETTO 1/4" 2 VIE CON LEVA	COCK VALVE 1/4" (2 WAYS WITH LEVER)	2
5	V004.003	VALVOLA INNESTO RAPIDO 1/2" MS CON TAPPO	VALVE WITH MALE COUPLING 1/2" WITH CAP	1
6	R001.014	RACCORDO VITE DOPPIA 1/2"-1/4"	DOUBLE SCREW COUPLING 1/2"-1/4"	1
7	R001.001	RACCORDO VITE DOPPIA 1/4"-1/4"	ADAPTER DOUBLE SCREW 1/4"-1/4"	2
8	T015.027	TUBO 1/4" R1AP-AS 1/4"F 1/4"F 90° L3200	PIPE 1/4" R1AP-AS 1/4"M 1/4"F 90° L3200	2
9	T015.032	TUBO 1/4"R1AP-AS 1/4"M 1/4"F L=2000	PIPE 1/4"R1AP-AS 1/4"M 1/4"F L=2000	1
10	S008.248	STAFFA COMANDO IDRAULICO	HYDRAULIC CONTROL CLAMP	1
11	R005.061	RONDELLA PIANA 1/2" RAME	COPPER FLAT WASHER 1/2"	1
12	F007.003	FORCELLA M 10 X 40 ZINCATA GIALLA	GALVANIZED FORK M 10 X 40 (YELLOW)	2
13	D001.071	DADO M 10 DX INOX BASSO UNI 5590 DIN 439	ST. STEEL HEXAGON NUT DM10 UNI 5589	2
14	C019.015	COPPIGLIA SPACCATA 2,5 X 25 INOX UNI1336	STAINLESS STEEL SPLIT PIN 2,5 X 25	2
15	C013.024	CILINDRO A20 C62 SP52/70/95/PXT	CYLINDER 20 C62 NEW TYPE	2
16	P004.043	PERNO DM 10 X 25 ZINCATO GIALLO	GALVANIZED PIN DM 10 X 25 (YELLOW)	2



Modello
Model

EUROSPAND

**DAVID
DAVID FRUIT**



Modello
Model

EUROSPAND

**DAVID
DAVID FRUIT**

Elenco ricambi - Spare parts list

Elemento	Codice	Descrizione	Description	Qtà
1	T010.323	TRAMOGGIA 600L. 8 D-C 2007	600L. HOPPER 8 D/C 2007	1
1	T010.324	TRAMOGGIA 600L. 8 D-C 2007 INOX	600L. ST. STEEL HOPPER 8 D/C 2007	1
2	O003.220	ORECCHIA SOLLEVAMENTO MACCHINE FE	LIFT HORN (IRON IMPLEMENTS)	3
2	O003.221	ORECCHIA SOLLEVAMENTO MACCHINE INOX	LIFT HORN (STAINLESS STEEL IMPLEMENTS)	3
3	P005.256	PIASTRA EST.TIRANTE 3°PUNTO D/C P11	OUTER PLATE (3RD POINT TIE ROD) D/C P11	1
3	P005.257	PIASTRA EST.TIRANTE 3°PUNTO D/C INOX	ST.STEEL OUT.PLATE (3RD P.TIE ROD) D/C	1
4	R005.013	RONDELLA PIANA DM10 INOX UNI6592 DIN125A	ST. STEEL FLAT WASHER DM10 UNI6592	4
5	D001.033	DADO E M 10 STOP INOX BASSO UNI 7474	ST. STEEL HEXAGON NUT M 10 UNI 7474	2
6	T008.149	TIRANTE 3°PUNTO TRAM D-C DM 10 ZINC.	GALV.3RD POINT-HOPPER TIE ROD D/C DM10	2
6	T008.150	TIRANTE 3°PUNTO TRAM D-C DM 10 INOX.	ST.ST.3RD POINT-HOPPER TIE ROD D/C DM10	2
7	D004.067	DISTANZIALE ESTERNO PIASTRA TRAMOGGIA	OUTER SPACER (PLATE HOPPER)	2
8	D001.005	DADO E M 10 INOX UNI 5588	ST. STEEL HEXAGON NUT M 10 UNI 5588	2



Modello
Model

EUROSPAND

**DAVID
DAVID FRUIT**



O.M.B. OFFICINE MECCANICHE BOVESANE S.R.L.
Via Cuneo 153/155 - 12012 BOVES (CN)
ITALY

Tel. Estero +39 0171 391511
Tel. Italia +39 0171 391501
Fax. +39 0171 391507
E-Mail omb@grupppocavallo.it