

# FERRI®







[www.ferri-america.com](http://www.ferri-america.com)



## ZME

### **Offset/in-line slope mowers**

*Specifically designed for compact tractors*

<b>ZME 125</b>		18 to 30 HP		4'1"		5'9"
<b>ZME 155</b>		25 to 40 HP		5'1"		6'8"


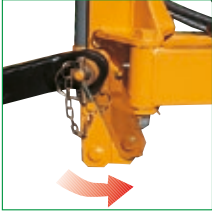

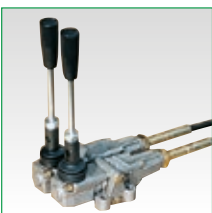


# Offset/in-line slope mowers

Specifically designed for compact tractors



ZME is specifically designed for compact tractors; and is one-of-a-kind, it is ideally suited for tractors over 1555 lbs.

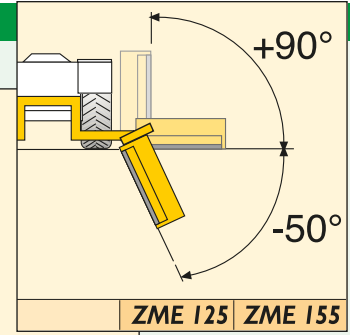
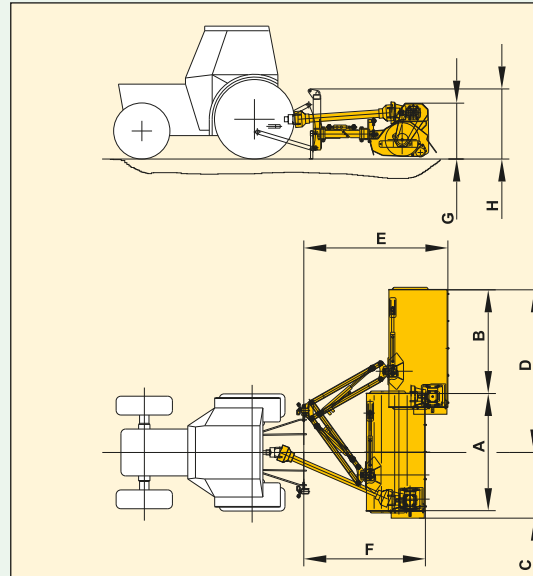
Equipment	ZME 125	ZME 150
Stiffening plate to stabilize unit	●	●
 Rotation joint on self lubricating bushing.	●	●
 Mechanical breakaway	●	●
Front and rear guard	●	●
Rear adjustable roller	●	●
 Rotor with internal sealed bearings	●	●
PTO shaft with overrun clutch	●	●
 Cable controls with floating head	□	□

● Standard   □ Optional

Tractors (recommended features)	Min. weight	Min. width
HP Tractor	10   20   30   40	lbs   ft
<b>ZME 125</b>		1555*   3' 7"
<b>ZME 155</b>		2000*   3' 11"


\* = verify possible need for ballast

## Work positions



		ZME 125	ZME 155
<b>A</b>	m	4'1"	5'1"
<b>B</b>	m	3'8"	3'8"
<b>C</b>	m	2'4"	2'4"
<b>D</b>	m	5'9"	6'8"
<b>E</b>	m	5'1"	5'1"
<b>F</b>	m	4'3"	4'3"
<b>G</b>	m	1'12"	1'12"
<b>H</b>	m	2'6"	2'6"

## Technical specifications

Model		ZME125	ZME155
Width of cut	ft	4'1"	5'1"
Flail head angle		+90°/-50°	+90°/-50°
Belts (SPAX type )	No.	3	3
Blade tip speed	ft/sec	150	150
Weight	lbs	511	575
Three point linkage	Cat.	I	I
PTO speed	RPM	540	540
 Articulated "Y" flails max cut 1"	No.	56	72



**FERRI srl**  
Via Govoni, 30  
44034 Tamara (FE) Italy  
Tel. +39 0532 866866  
Fax +39 0532 866851  
info@ferrisrl.it - www.ferrisrl.it



**North America Sales and Marketing Manager / FERRI**  
Kent Zimmerman  
Cell (402) 677-3424  
k.zimmerman@ferrisrl.it

**Parts Stock / FERRI:**  
J.S. Woodhouse Co., Inc. - 1314 Union Street  
P.O. Box 1169 - West Springfield, Ma. 01090 U.S.A.  
tel. 413-736-5462 - fax 413-732-3786  
info@jswoodhouse.com