

FERRI[®]

Offset/in-line slope mowers
for agriculture and green areas

ZMLE

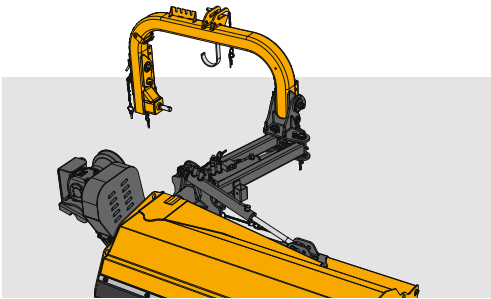




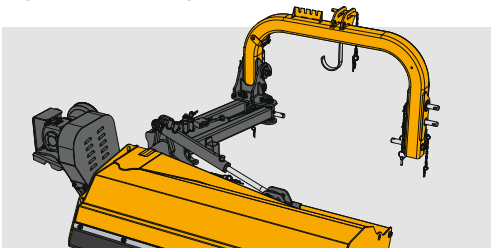
Offset/in-line slope mowers for agriculture and green areas

The innovative and patented design places the flail head axially with respect to the tractor even if the gearbox is external to the transmission. This system utilizes a three point headstock attachment with a double linkage. One machine is able to perform the work which required use of two slope mowers: you have a bigger offset and at the same time, with a simple manual operation, you can set the flail head rear and centrally to operate along the rows.

Two in one!
One machine = two slope mowers
FERRI PATENT on DOUBLE LINKAGE



RIGHT HAND LINKAGE



LEFT HAND LINKAGE

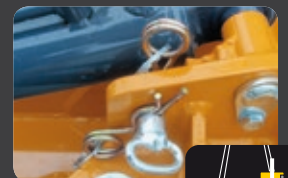


Gearbox unit outside the transmission cover (more offset and less PTO angle).

SAFETY



Hydraulic block tap for transport with manual activation (no chains or holders).



Mechanical block pin for transport (no chains or holders).



FERRI®



ZMLE1400

ZMLE1600

TECHNICAL



Floating frame following the ground contours.

RELIABILITY



Three point headstock attachment with a double linkage: one machine is able to perform the work which required use of two slope mowers.



Hydraulic side shift cylinder fitted within the parallel arms for better protection during work.

PERFORMANCE



Adjustable Rear Roller \varnothing 5.5".



Rotor internal sealed bearings.





Rotation joint on self lubricating bushing.



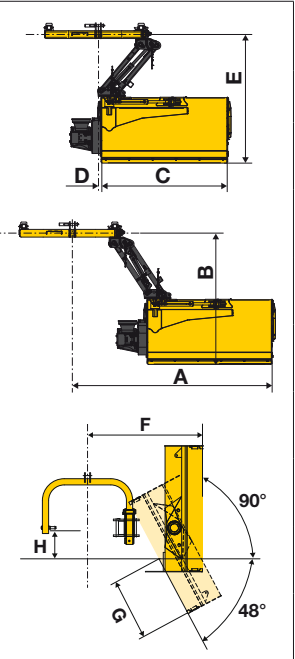
Offset/in-line slope mowers for agriculture and green areas

Technical data	ZMLE	
Model	1400	1600
Cutting width	ft 4' 8"	5' 4"
Max Sidesliding*	ft 7' 10"	8' 6"
Flail head angle	48°/90°	48°/90°
Weight	lbs 961	1005
Tractor	HP/PS 40/70	40/70
Min. Tractor weight	lbs 2886	3086
Min. Tractor width	ft 5' 11"	7' 3"
Pto	MAX Rpm 540	540
Blade tip speed	ft/sec 47	47

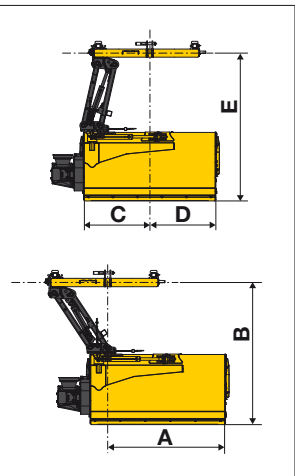
* Reach measured from tractor centre line to head edge

Flails	ZMLE	
Interchangeable on the same rotor	1400	1600
"Y" blades for grass, shrubs, bushes Ø max 1 1/4"	 N° 54	66
Forged hammer-blades for woods, grass, twigs Ø max 1 3/4"	 N° 18	22

Working positions (ft): right hand linkage		ZMLE1400	ZMLE1600
A	ft 7'10"	8'6"	
B	ft 5'7"	5'7"	
C	ft 4'8"	5'4"	
D	ft 0'1.6"	0'1.6"	
E	ft 5'5"	5'5"	
F	ft 4'11"	4'11"	
G	ft 3'4"	4'	
H	ft 1'4"	1'4"	



Working positions (ft): left hand linkage		ZMLE1400	ZMLE1600
A	ft 3'12"	4'8"	
B	ft 5'7"	5'7"	
C	ft 2'8"	2'8"	
D	ft 2'	2'8"	
E	ft 5'11"	5'11"	



Rev.0 - 1230
ZMLE - USA - EN
campbelladv.com 61216
All data subject to change

www.ferri-america.com



FERRI srl
Via Govoni, 30
44034 Tamara (FE) Italy
Tel. +39 0532 866866
Fax +39 0532 866851
info@ferri.it - www.ferri.it



North America Sales and Marketing Manager / FERRI
Ronald E. Roglis - Glenarm, Illinois 62536
Cell (314) 422-9460 - Fax (217) 483-4123
ron.roglis@gmail.com

Parts Stock / FERRI:
J.S. Woodhouse Co., Inc. - 1314 Union Street
P.O. Box 1169 - West Springfield, Ma. 01090 U.S.A.
tel. 413-736-5462 - fax 413-732-3786
info@jswoodhouse.com