

# FERRI®

[www.ferri-america.com](http://www.ferri-america.com)



Hydraulic block tap for transport with manual activation (no chains or holders).



Mechanical block pin for transport (no chains or holders).



Gearbox unit outside the transmission cover (more-side sliding)



## ZMTE

*Extra Reach*

### Offset in-line slope mowers

• Agriculture • Green areas • Tractors from 50 to 80 HP

ZMTE 1600		50 to 80 HP		5'5"		9'2"
ZMTE 1800		60 to 80 HP		6'0"		9'10"
ZMTE 2000		70 to 80 HP		6'9"		10'6"



# Offset in-line slope mowers

• Agriculture • Green areas • Tractors from 50 to 80 HP



## Strong points



Floating frame: the joint pin on tractor side allows the head system to follow the ground, protecting the arms structure of the parallelogram.



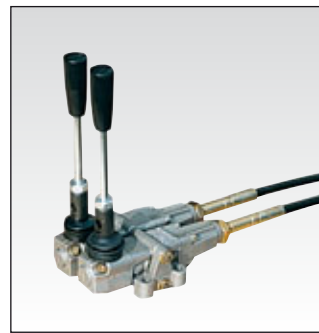
Hydraulic sideshift ram fitted within parallel arms for better protection during work.



Rotor internal sealed bearings.

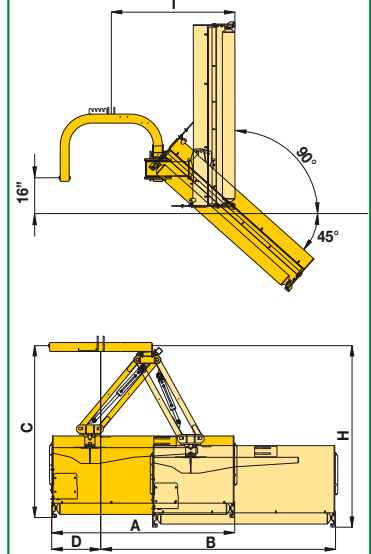


The gearbox position located outside of the transmission cover allows greater off-set of the flail head reducing the Pto shaft angle in work.





Cable controls with floating head (optional).

## Work position



	ZMTE 1600	ZMTE 1800	ZMTE 2000
A ft.	5'5"	6'0"	6'9"
B ft.	9'2"	9'10"	10'6"
C ft.	5'11"	6'1"	6'1"
D ft.	9"	9"	9"
H ft.	6'4"	6'6"	6'6"
I ft.	5'5"	5'5"	5'5"

## Equipment

	MOD.	ZMTE 1600	ZMTE 1800	ZMTE 2000
Cutting	ft	5' 5"	6' 0"	6' 9"
Power take-off	rpm	540	540	540
Belts	No.	3	3	4
Tractor required power	HP	50 / 80	60 / 80	70 / 80
Rotor speed	rpm	2430	2510	2510
Blade tip speed	ft/sec	150	164	164
Weight (without PTO shaft 52,516 lbs)	lbs	1034	1239	1290
Three point linkage	Cat.	II	II	II
Minimum tractor weight	lbs	4900	5400	5800
Tractors minimum width	ft	5' 11"	6' 7"	7' 3"
 Multi-use blades. Max cut 1 1/4"	No.	40	48	48
 Hammer blades. Max cut 1 3/4"	No.	20	24	24



FERRI srl Via C. Govoni, 30 - 44034 Tamara (FE) Italy  
Tel. 011-39-0532.866866 - Fax 011-39-0532.866851 - www.ferrisrl.it - info@ferrisrl.it

## Customer Service Sales & Marketing/FERRI:

Don Garner  
Vancouver, WA 98682  
tel. 360-281-3641  
d.garner@ferrisrl.it

## Parts Stock / FERRI:

J.S. Woodhouse Co., Inc.  
1314 Union Street  
P.O. Box 1169  
West Springfield, Ma. 01090 U.S.A.  
tel. 413-736-5462  
fax 413-732-3786  
info@jswoodhouse.com