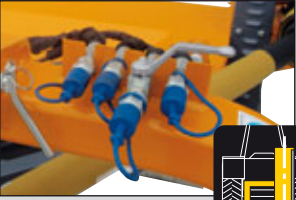


FERRI®

www.ferri-america.com



Hydraulic block tap side movements for transport with manual activation (no chains or holders).



Hydraulic block tap of flail head during transport (no chains or holders).



Gearbox unit outside the transmission cover (more-side sliding)



Extra Reach



Offset in-line slope mowers

• Agriculture • Green areas • Tractors from 70 to 80 HP

ZTE 2300  70 to 80 HP  7'5"  10'9"

Extra Reach



Offset in-line slope mowers

• Agriculture • Green areas • Tractors from 70 to 80 HP



Strong points



Floating frame: the joint pin on tractor side allows the head system to follow the ground, protecting the arms structure of the parallelogram.



Hydraulic sideshift ram fitted within parallel arms for better protection during work.



Gearbox outside the transmission cover (more-side sliding). Rear adjustable roller ϕ 5 1/2".



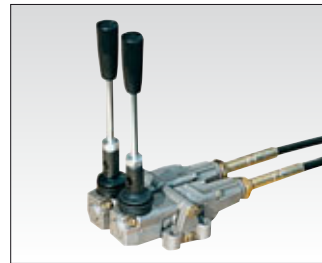
The gearbox position located outside of the transmission cover allows greater off-set of the flail head reducing the Pto shaft angle in work.



Rotor internal sealed bearings.



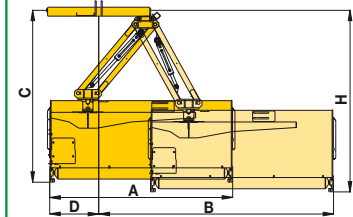
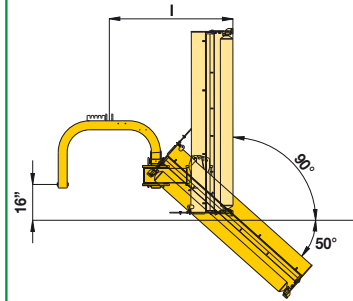
Mechanical breakaway



Cable controls with floating head (optional).


Work position

- In-slope
- Vertical
- Offset
- In-line



		ZTE 2300
A	ft.	7'5"
B	ft.	10'9"
C	ft.	5'10"
D	ft.	0'81"
H	ft.	6'4"
I	ft.	4'11"

Equipment

	MOD.	ZTE 2300
Cutting width	ft	7'5"
Max sidesliding	ft	10'9"
Power take-off	RPM	540
Belts	No.	4
Tractor required power	HP	70 / 80
Minimum tractor weight	lbs	6170
Minimum tractor width	ft	7'3"
Rotor speed	RPM	2325
Blade tip speed	ft/sec	164'
Weight	lbs	1444
Three point linkage	Cat.	II
 Hammer blades for wood, twigs, grass max. 1 3/4"	No.	22



FERRI srl Via C. Govoni, 30 - 44034 Tamara (FE) Italy
Tel. 011-39-0532.866866 - Fax 011-39-0532.866851 - www.ferrisrl.it - info@ferrisrl.it

Customer Service Sales & Marketing/FERRI:

Don Garner
Vancouver, WA 98682
tel. 360-281-3641
d.garner@ferrisrl.it

Parts Stock / FERRI:

J.S. Woodhouse Co., Inc.
1314 Union Street
P.O. Box 1169
West Springfield, Ma. 01090 U.S.A.
tel. 413-736-5462
fax 413-732-3786
info@jswoodhouse.com