

ARENA-VATOR II ASSEMBLY

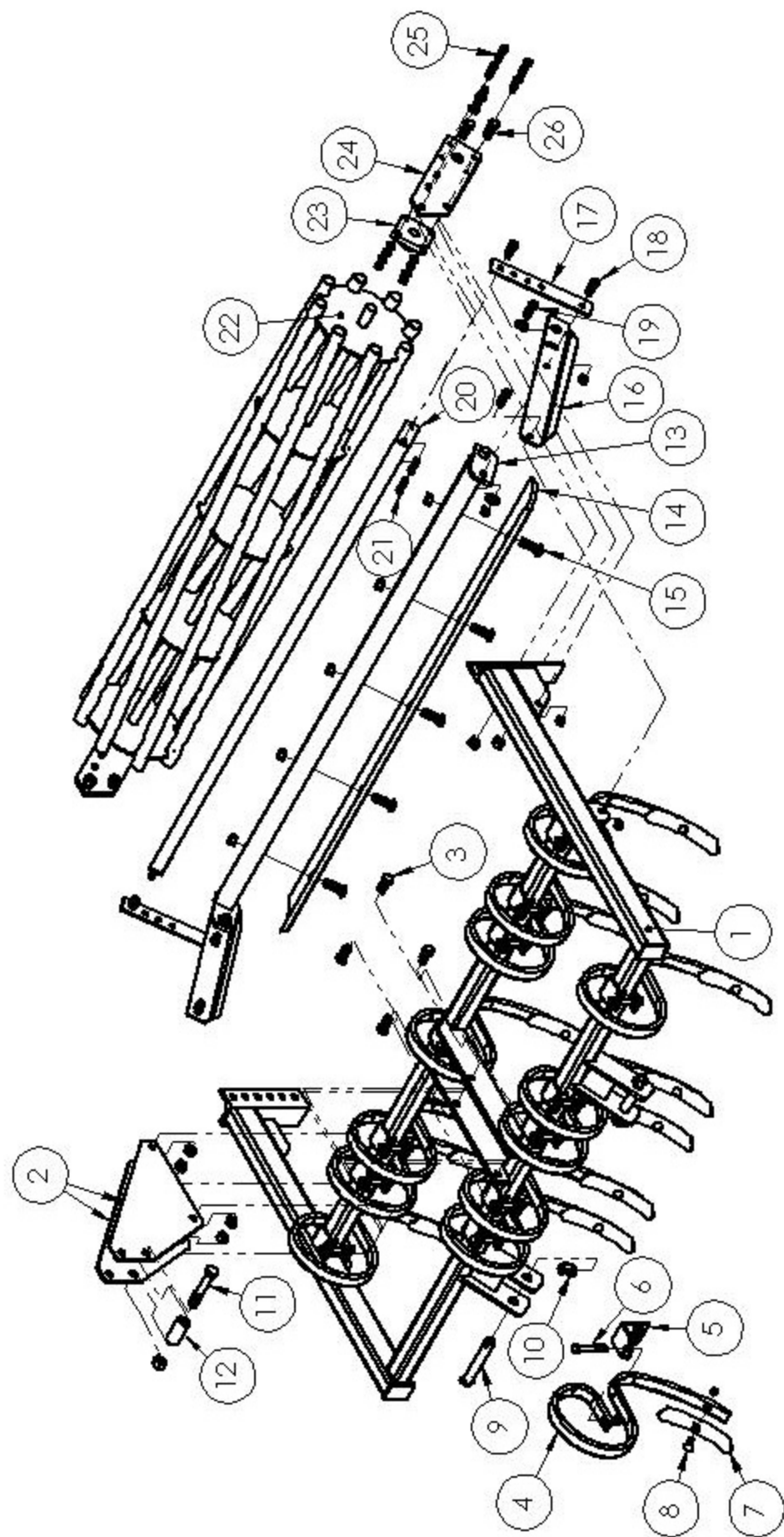
ITEM	QTY	PART NO	DESCRIPTION	NET PRICE
1	1	AV-2004	4' Frame Weldment (not shown)	
	1	AV-2005	5' Frame Weldment	
	1	AV-2006	6' Frame Weldment (not shown)	
	1	AV-2007	7' Frame Weldment (not shown)	
	1	AV-2008	8' Frame Weldment (not shown)	
	1	AV-2120	10' Frame Weldment (not shown)	
	1	AV-2144	12' Frame Weldment (not shown)	
2	2	AV-0160	Top Link Plate	
3	4	AV-0320	5/8" X 1 1/2" NC Gr. 5 Cap Screw w/Nylock Nut	
4	*	AV-0415	S-Tine, 32 x 10 x 560	
5	*	AV-0420	S-Tine Clamp	
6	*	AV-0312	1/2" X 3 1/2" NC Gr. 5 Cap Screw w/Nylock Nut	
7	*	AV-0405	Reversible Point, 40 X 6 X 200	
8	*	AV-0305	3/8" X 1 1/2" NC Elliptical Head Plow Bolt w/Hex Nut	
9	2	AV-0450	P-7234 Cat I Clevis Pin	
	2	AV-0455	Cat I & II Clevis Step Pin	
10	2	AV-0460	P-791 Lynch Pin	
11	1	AV-0313	3/4" X 4 1/2" NC Gr. 5 Cap Screw w/Nylock Nut	
12	1	AV-0164	Top Link Bushing	
13	1	AV-2114	4' Blade Mount Weldment (not shown)	
	1	AV-2115	5' Blade Mount Weldment	
	1	AV-2116	6' Blade Mount Weldment (not shown)	
	1	AV-2117	7' Blade Mount Weldment (not shown)	
	1	AV-2118	8' Blade Mount Weldment (not shown)	
	1	AV-2110	10' Blade Mount Weldment (not shown)	
	1	AV-2112	12' Blade Mount Weldment (not shown)	
14	1	AV-0204	4' Leveling Blade	
	1	AV-0205	5' Leveling Blade	
	1	AV-0206	6' Leveling Blade	
	1	AV-0207	7' Leveling Blade	
	1	AV-0208	8' Leveling Blade	
	1	AV-0210	10' Leveling Blade	
	1	AV-0212	12' Leveling Blade	
15	**	AV-0300	5/8" X 2" NC Carriage Bolt w/Nylock Nut	
16	1	AV-0110	Blade Tilt Adjustment Bracket (Right hand)	
	1	AV-0111	Blade Tilt Adjustment Bracket (left hand)	
	1	AV-2410	Blade Tilt Adjustment Bracket (Right hand) AV2-10 & AV2-12 only (not shown)	
	1	AV-2411	Blade Tilt Adjustment Bracket (Left hand) AV2-10 & AV2-12 only (not shown)	
17	2	AV-0120	Blade Height Adjustment Bracket	
	2	AV-2320	Blade Height Adjustment Bracket AV2-10 & AV2-12 only (not shown)	
18	6	AV-0311	1/2" X 1 1/2" NC Gr. 5 Cap Screw w/Nylock Nut	
19	2	AV-0315	1/2" X 1 1/2" NC Gr. 5 Cap Screw w/Nylock Nut & 2 Flat Washers	
20	1	AV-0194	4' Roller Scraper & Support Weldment (not shown)	
	1	AV-0195	5' Roller Scraper & Support Weldment	
	1	AV-0196	6' Roller Scraper & Support Weldment (not shown)	
	1	AV-0197	7' Roller Scraper & Support Weldment (not shown)	
	1	AV-0198	8' Roller Scraper & Support Weldment (not shown)	
	1	AV-2160	10' Roller Scraper & Support Weldment (not shown)	
	1	AV-2155	12' Roller Scraper & Support Weldment (not shown)	
21	4	AV-0316	3/8" X 1 1/2" NC Gr. 5 Cap Screw w/Nylock Nut & Flat Washer	
22	1	AV-0140	4' Pipe Roller (not shown)	
	1	AV-0150	5' Pipe Roller	
	1	AV-0160	6' Pipe Roller (not shown)	
	1	AV-0170	7' Pipe Roller (not shown)	
	1	AV-0180	8' Pipe Roller (not shown)	
	1	AV-2310	10' Pipe Roller (not shown)	
	1	AV-2312	12' Pipe Roller (not shown)	

	1	AV-0154	4' Smooth Roller Optional (not shown)	
	1	AV-0155	5' Smooth Roller Optional (not shown)	
	1	AV-0156	6' Smooth Roller Optional (not shown)	
	1	AV-0157	7' Smooth Roller Optional (not shown)	
	1	AV-0158	8' Smooth Roller Optional (not shown)	
	1	AV-2204	4' Mesh Roller Optional (not shown)	
	1	AV-2205	5' Mesh Roller Optional (not shown)	
	1	AV-2206	6' Mesh Roller Optional (not shown)	
	1	AV-2207	7' Mesh Roller Optional (not shown)	
	1	AV-2208	8' Mesh Roller Optional (not shown)	
23	2	AV-0200	1" Roller Bearing 4 Bolt w/Lock Collar	
	2	AV-2200	1 1/4" Roller Bearing 4 Bolt/w Lock Collar AV2-10 & AV2-12 only (not shown)	
24	1	AV-0130	Roller Bracket (Right Hand)	
	1	AV-0131	Roller Bracket (Left Hand)	
	1	AV-2330	Roller Bracket (Right Hand) AV2-10 & AV2-12 only (not shown)	
	1	AV-2331	Roller Bracket (Left Hand) AV2-10 & AV2-12 only (not shown)	
25	8	AV-0302	7/16" X 1 1/2" NC Gr. 5 Cap Screw w/Hex Nut & Lock Washer	
	8	AV-2302	1/2" X 2" NC Gr. 5 Cap Screw w/Hex Nut & Lock Washer AV2-10 & AV2-12 only (not shown)	
26	4	AV-0310	5/8" X 1 1/2" NC Gr. 5 Cap Screw w/Nylock Nut	
	4	AV-2332	5/8" X 2" NC Gr. 5 Cap Screw w/Nylock Nut AV2-10 & AV2-12 only (not shown)	

(**)(*) These quantities vary (depending on the unit purchased) as follows:

QTY	UNIT	DESCRIPTION
(*11)(**4)	AV2-4(4M)	4' Arena-Vator Assembly
(*13)(**5)	AV2-5(5M)	5' Arena-Vator Assembly
(*15)(**6)	AV2-6(6M)	6' Arena-Vator Assembly
(*17)(**7)	AV2-7(7M)	7' Arena-Vator Assembly
(*19)(**8)	AV2-8(8M)	8' Arena-Vator Assembly
(*23)(**10)	AV2-10	10' Arena-Vator Assembly
(*27)(**12)	AV2-12	12' Arena-Vator Assembly

ARENA-VATOR II ASSEMBLY



NORTHSTAR

ATTACHMENTS
VALLEY, WA

AVGW-GAUGE WHEEL ASSEMBLY

