



Operation
&
Parts Manual

for

Rear Blade & Landscape Rake

RB 10-48, & 60 RB15-48, & 60 RB20-60, 72, & 84
RB22-60, 72, & 84

RB30-60, 72, & 84 RB40-72, 84, & 96

LR15-60, & 72 LR20-72, 84, & 96 LR21-72, 84, & 96

Operations and Parts Manual

Table of Contents

Section	Page
Table of Contents	2
Retail Customer Responsibility	2
Manufacturer's Warranty	3
Dealer Preparation Checklist	3
Safety Precautions	4
Laws and Regulations	5
Attachment and Detachment	6
Operation and Adjustment	6
Transport	7
Maintenance	7
Torque Specifications	8
Parts List	9

BECAUSE THE MANUFACTURER MAINTAINS AN ONGOING PROGRAM OF PRODUCT IMPROVEMENT, WE RESERVE THE RIGHT TO MAKE IMPROVEMENTS IN DESIGN OR CHANGES IN SPECIFICATIONS WITHOUT INCURRING ANY OBLIGATION TO INSTALL THEM ON UNITS PREVIOUSLY SOLD. BECAUSE OF THE POSSIBILITY THAT SOME PHOTOGRAPHS IN THIS MANUAL WERE TAKEN OF PROTOTYPE MODELS, PRODUCTION MODELS MAY VARY IN SOME DETAIL. IN ADDITION, SOME PHOTOGRAPHS MAY SHOW SHIELDS REMOVED FOR PURPOSES OF CLARITY. **NEVER OPERATE** THIS IMPLEMENT WITHOUT ALL SHIELDS IN PLACE.

RETAIL CUSTOMER'S WARRANTY RESPONSIBILITY

It is the Retail Customer and/or Operator's responsibility to read the Operator's Manual, to operate, lubricate, maintain and store the product in accordance with all instructions and safety procedures. Failure of the operator to read the Operator's Manual is a misuse of this equipment. It is the Retail Customer and/or Operator's responsibility to inspect the product and to have any part(s) repaired or replaced when continued operation would cause damage or excessive wear to other parts or cause a safety hazard. It is the Retail Customer's responsibility to deliver the product to the authorized dealer, from whom he purchased it, for service or replacement of defective parts which are covered by warranty. Repairs to be submitted for warranty consideration must be made within thirty (30) days of failure. It is the Retail Customer's responsibility for any cost incurred by the Dealer for traveling to or hauling of the product for the purpose of performing a warranty obligation or inspection.

Manufacturer's Warranty

The manufacturer warrants each new implement to be free from defects in material and workmanship under normal use and service for a period of one (1) year from the date of original sale.

This warranty is expressly in lieu of all other warranties and representations, expressed or implied, and all other obligations or liabilities on the part of the Manufacturer.

Manufacturer's liability and obligation is limited to repair or replacement of the product or a refund of purchase price, at Manufacturer's option, provided the purchaser returns the claimed defective product to the Manufacturer, or authorized distributor, with transportation charges prepaid, and an examination by Manufacturer discloses the product is defective.

This warranty does not cover said product which has been repaired or altered outside of the factory of Manufacturer in any way as to, in the judgment of the Manufacturer affect the stability, reliability or performance of the product. This warranty does not cover damage or product failure caused by accident, misuse, negligence, tampering, improper attachment or improper maintenance.

This warranty is null and void unless "Warranty Registration Form and Inspection Report" is completed and returned to Manufacturer.

This warranty excludes any and all liability for consequential or incidental damages.

This warranty gives you specific legal rights providing said product is put to its proper designed use.

THIS CHECKLIST TO REMAIN IN OWNER'S MANUAL

Dealer Preparation Check List

- 1. Assembly Completed
- 2. All fasteners torqued to specifications given in Torque Chart
- 3. All decals in place and readable
- 4. All guards in place and in good operating order
- 5. Overall condition good (paint, welds)
- 6. Operator's Manual has been delivered to owner
- 7. Owner has been instructed on the safe and proper use of the implement

Dealer Signature: _____

It is the dealer's responsibility to complete the procedures listed above before delivery of this implement to the customer.

IMPORTANT SAFETY PRECAUTIONS

In addition to the design and configuration of equipment, hazard control and accident prevention are dependent upon the awareness, concern, prudence and proper training of personnel in the operation, transport, maintenance and storage of equipment. Lack of attention to safety can result in accident, personal injury, reduction of efficiency and worst of all—loss of life. Watch for safety hazards and correct deficiencies promptly. Use the following safety precautions as a general guide to safe operations when using this machine. Additional safety precautions are used throughout this manual for specific operating and maintenance procedures. Read this manual and review the safety precautions often until you know the limitations.

1. Read the Operator's Manual. Failure to read the Operator's Manual is considered a misuse of this equipment.
2. Become familiar with all the machine's controls and all the caution, warning and danger decals affixed to the machine before attempting to start or operate.
3. Before starting or operating the machine, make a walk around inspection and check for obvious defects such as loose mounting bolts and damaged components. Correct any deficiency before starting.
4. Do not allow children to operate the implement. Do not allow adults to operate it without proper instruction.
5. Do not carry passengers.
6. Keep the area of operation clear of all persons, particularly small children and pets. The operator should cease operation whenever anyone comes within the area.
7. Lower implement to ground, stop tractor engine and apply parking brake before leaving the tractor.
8. Keep hands and feet away from implement.
9. Wear personal protective equipment such as, but not limited to, protection for eyes, ears, feet, hands and head when operating or repairing the equipment. Do not wear loose clothing or jewelry that may catch on equipment moving parts.
10. When performing adjustments or maintenance on the implement, first lower it to the ground or block it securely at a workable height.
11. Never stand between tractor and implement while tractor is being backed to the hitch.
12. Reduce speed when transporting implement to avoid bouncing and momentary loss of steering.
13. Use tractor flashing warning lights, day or night, when transporting implement on road or highways unless prohibited by law.
14. It is recommended that tractor be equipped with Rollover Protective System (ROPS) and seat belt be used in all implement operations.

IMPORTANT FEDERAL LAWS AND REGULATIONS* CONCERNING EMPLOYERS, EMPLOYEES AND OPERATIONS.

*(This section is intended to explain in broad terms the concept and effect of the following federal laws and regulations. It is not intended as a legal interpretation of the laws and should not be considered as such).

U.S. Public Law 91-596 (The Williams-Steiger Occupational and Health Act of 1970) OSHA

This Act Seeks:

“...to assure so far as possible every working man and woman in the nation safe and healthful working conditions and to preserve our human resources...”

DUTIES

Sec. 5 (a) Each employer—

(1) shall furnish to each of his employees employment and a place of employment which are free from recognized hazards that are causing or are likely to cause death or serious physical harm to his employees;

(2) shall comply with occupational safety and health standards promulgated under this Act.

(b) Each employee shall comply with occupational safety and health standards and all rules, regulations and orders issued pursuant to this Act which are applicable to his own actions and conduct.

OSHA Regulations

Current OSHA regulations state in part: “At the time of initial assignment and at least annually thereafter, the employer shall instruct every employee in the safe operation and servicing of all equipment with which the employee is, or will be involved.” These will include (but are not limited to) instructions to:

Keep all guards in place when the machine is in operation;

Permit no riders on equipment;

Stop engine, disconnect the power source, and wait for all machine movement to stop before servicing, adjusting, cleaning or unclogging the equipment, except where the machine must be running to be properly serviced or maintained, in which case the employer shall instruct employees as to all steps and procedures which are necessary to safely service or maintain the equipment.

Make sure everyone is clear of machinery before starting the engine, engaging power, or operating the machine.

Child Labor Under 16 Years Old

Some regulations specify that no one under the age of 16 may operate power machinery. It is your responsibility to know what these regulations are in your own area or situation. (Refer to U.S. Dept. of Labor, Employment Standard Administration, Wage & Home Division, Child Labor Bulletin #102.)

EMPLOYEE TRACTOR OPERATING INSTRUCTIONS:

- | | |
|--|---|
| 1. Securely fasten your seat belt if the tractor has a ROPS. | 5. Watch where you are going, especially at row ends, on roads, and around trees. |
| 2. Where possible, avoid operating the tractor near ditches, embankments, and holes. | 6. Do not permit others to ride. |
| 3. Reduce speed when turning, crossing slopes, and on rough, slick, or muddy surfaces. | 7. Operate the tractor smoothly - no jerky turns, starts, or stops. |
| 4. Stay off slopes too steep for safe operation. | 8. Hitch only to the drawbar and hitch points recommended by tractor manufacturers. |
| | 9. When tractor is stopped, set brakes securely and use park lock if available. |

OPERATION

DURING ADJUSTMENT KEEP BODY, HANDS AND FEET CLEAR OF IMPLEMENT.

ATTACHMENT TO TRACTOR

- The implement should be placed on level ground. Place the tractor 3 point lift arm control in “position control” (non-floating) for attaching and detaching the rear mounted blade. “Draft control” or “position control” can be used while operating. Attach the top link to the top hitch mount and adjust so that the aerator frame will be level in the operating position.
- Back the tractor until the ends of the lift arms can be attached to the bottom clevis pins on the implement. Secure the lift arms to the clevis pins.
- Slowly move implement throughout the lift cycle of the tractor watching for interference between implement and tractor. Adjust top link, if necessary to provide additional clearance.

DETACHING FROM TRACTOR

- Lower the implement to the ground with 3 point lift arm control in position control. Remove top link from top hitch mount, disconnect hitch arms from bottom clevis pins and pull tractor away from blade.

OPERATION

LOWER THE IMPLEMENT AS MUCH AS POSSIBLE AND SECURELY SUPPORT BEFORE MAKING ANY ADJUSTMENT.

- Level the implement from side to side and front to rear using adjustments on the tractor’s 3-point lift.
- Care should be exercised during use of the implement to prevent hanging the ends on immovable objects or otherwise use the implement under conditions beyond its designed capacity.

TRANSPORTATION

WHEN EQUIPMENT IS TRANSPORTED, USE NECESSARY DEVICES REQUIRED BY LOCAL REGULATIONS FOR ADEQUATE WARNING TO OPERATORS OF OTHER VEHICLES.

MAINTENANCE

- Proper maintenance and service is the key to long life of any farm equipment. With regular inspection and lubrication of vital parts you can avoid many costly repairs and downtime.
- Inspect your implement periodically and replace any worn or broken parts in order to have it ready for use when needed.
- Store the implement out of the weather when it is not in use. This helps prevent rusting of the blades and other components.
 - Tines and/or blades should be cleaned immediately after use for easier cleaning.

TORQUE SPECIFICATIONS

Proper torque for American fasteners used

WRENCH SIZE	BOLT AND THREAD SIZE	SAE GRADE 2	SAE GRADE 5	SAE GRADE 8
7/16	1/4 - 20 UNC	6 (7)	8 (11)	12 (16)
7/16	1/4 - 28 UNF	6 (8)	10 (13)	14 (18)
1/2	5/16 - 18 UNC	11 (15)	17 (23)	25 (33)
1/2	5/16 - 24 UNF	13 (17)	19 (26)	27 (37)
9/16	3/8 - 16 UNC	20 (27)	31 (42)	44 (60)
9/16	3/8 - 24 UNF	23 (31)	35 (47)	49 (66)
5/8	7/16 - 14 UNC	32 (43)	49 (66)	70 (95)
5/8	7/16 - 20 UNF	36 (49)	55 (75)	78 (106)
3/4	1/2 - 13 UNC	49 (66)	76 (103)	106 (144)
3/4	1/2 - 20 UNF	55 (75)	85 (115)	120 (163)
7/8	9/16 - 12 UNC	70 (95)	109 (148)	153 (207)
7/8	9/16 - 18 UNF	79 (107)	122 (165)	172 (233)
15/16	5/8 - 11 UNC	97 (131)	150 (203)	212 (287)
15/16	5/8 - 18 UNF	110 (149)	170 (230)	240 (325)
1-1/8	3/4 - 10 UNC	144 (195)	266 (360)	376 (509)
1-1/8	3/4 - 16 UNF	192 (260)	297 (402)	420 (569)
1-5/16	7/8 - 9 UNC	166 (225)	430 (583)	606 (821)
1-5/16	7/8 - 14 UNF	184 (249)	474 (642)	668 (905)
1-1/2	1 - 8 UNC	250 (339)	644 (873)	909 (1232)
1-1/2	1 - 12 UNF	274 (371)	705 (955)	995 (1348)
1-1/2	1 - 14 UNF	280 (379)	721 (977)	1019 (1381)
1-11/16	1-1/8 - 7 UNC	354 (480)	795 (1077)	1288 (1745)
1-11/16	1-1/8 - 12 UNF	397 (538)	890 (1206)	1444 (1957)
1-7/8	1-1/4 - 7 UNC	500 (678)	1120 (1518)	1817 (2462)
1-7/8	1-1/4 - 12 UNF	553 (749)	1241 (1682)	2013 (2728)
2-1/16	1-3/8 - 6 UNC	655 (887)	1470 (1992)	2382 (3228)
2-1/16	1-3/8 - 12 UNF	746 (1011)	1672 (2266)	2712 (3675)
2-1/4	1-1/2 - 6 UNC	870 (1179)	1950 (2642)	3161 (4283)
2-1/4	1-1/2 - 12 UNF	979 (1327)	2194 (2973)	3557 (4820)

Recommended Torque in Foot Pounds (Newton Meters)

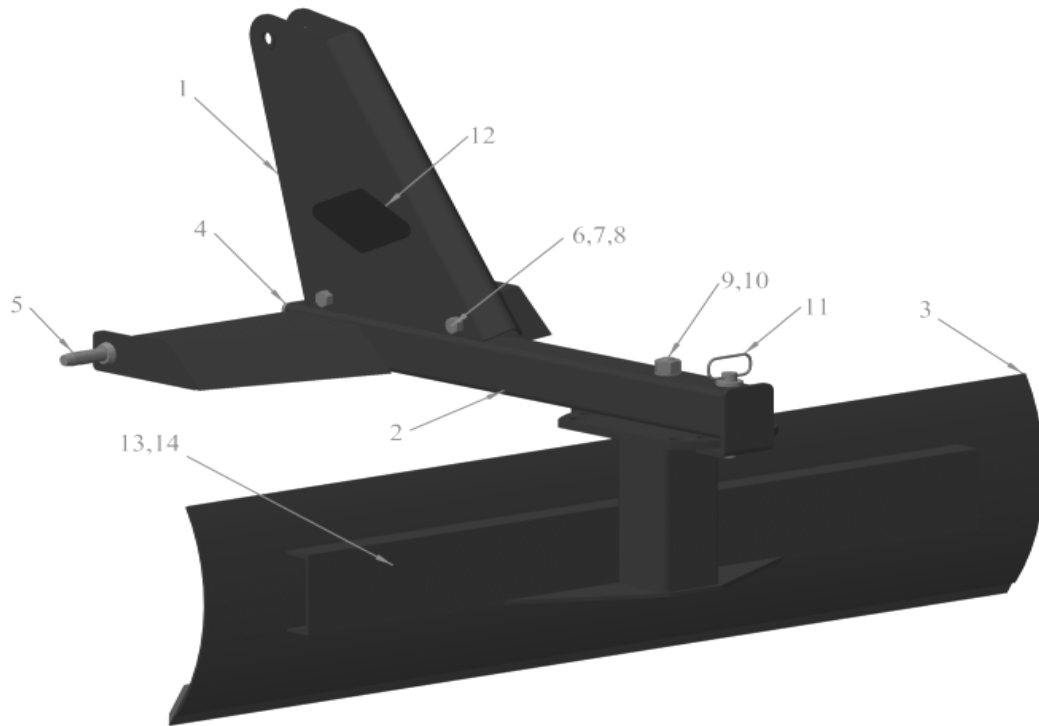
Use 75% of specified value for plated fasteners

Use 85% of specified value for lubricated fasteners

10 Series Rear Blade Parts

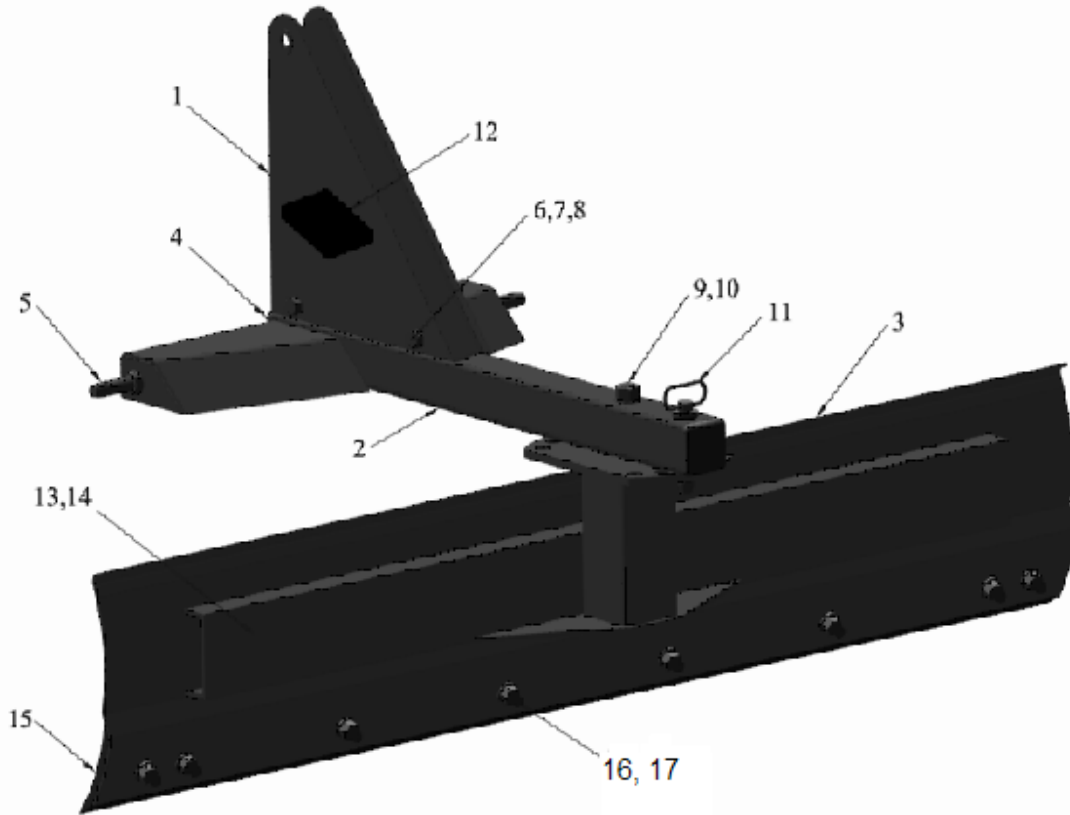
ITEM			
#	Description	RB10-48	RB10-60
1	Hitch Top Link	UH10-00-SA	UH10-00-SA
2	Hitch Main Frame	UH10-00-SB	UH10-00-SB
3	Blade Assembly	RB10-48-SE	RB10-60-SE
4	Cap, 3"x3", Black, Plastic	VCAP3.000x3.000BP	VCAP3.000x3.000BP
5	Lift Pin, Cat 1, Threaded	VLIFTPIN1	VLIFTPIN1
6	Hex Bolt, 9/16"x4", NC, Plated	VHB0.5625x4.000NCP	VHB0.5625x4.000NCP
7	Hex Nut, 9/16", NC, Plated	VHN0.5625NCP	VHN0.5625NCP
8	Lock Washer, 9/16", Plated	VLW0.5625P	VLW0.5625P
9	Lock Nut, 7/8", Plated	VLN0.8750NCP	VLN0.8750NCP
10	Flat Washer, 7/8", Plated	VFW0.8750P	VFW0.8750P
11	Pull Pin, 7/8" x 4 1/4"	VPIN0.8750x4.2500	VPIN0.8750x4.2500
12	Brand Label		
13	Serial Number Label	VLBLSERIAL	VLBLSERIAL
14	Model Number Label	VLBLRB1548	VLBLRB1560
15	Blade Edge 6" x 1/2"	VBE00-48-01	VBE00-60-01
16	Plow Bolt 5/8x1 1/2, NC Plated	VPB0.6250x1.50 NCP	VPB0.6250x1.50 NCP
17	Hex Nut 5/8 NC Plated	VHN0.6250NCP	VHN0.6250NCP

15 Series Rear Blade Parts



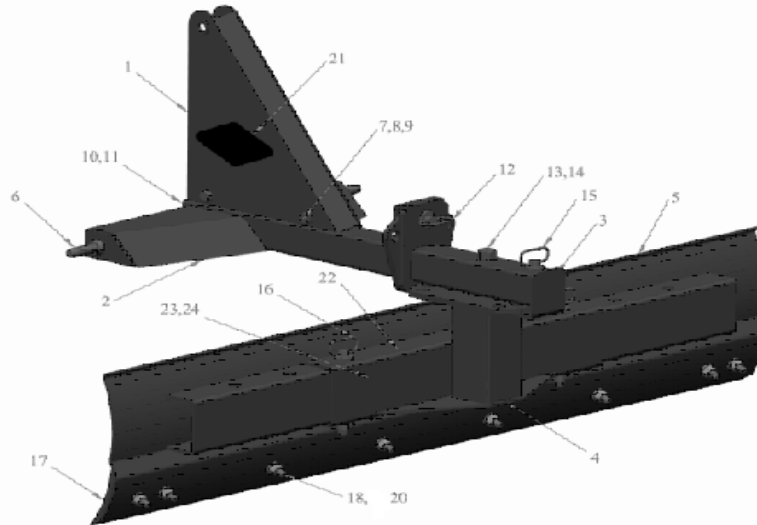
ITEM #	Description	RB15-48	RB15-60
1	Hitch Top Link	UH15-00-SA	UH15-00-SA
2	Hitch Main Frame	UH15-00-SB	UH15-00-SB
3	Blade Assembly	RB15-48-SE	RB15-60-SE
4	Cap, 3"x3", Black, Plastic	VCAP3.000x3.000BP	VCAP3.000x3.000BP
5	Lift Pin, Cat 1, Threaded	VLIFTPIN1	VLIFTPIN1
6	Hex Bolt, 9/16"x4", NC, Plated	VHB0.5625x4.000NCP	VHB0.5625x4.000NCP
7	Hex Nut, 9/16", NC, Plated	VHN0.5625NCP	VHN0.5625NCP
8	Lock Washer, 9/16", Plated	VLW0.5625P	VLW0.5625P
9	Lock Nut, 7/8", Plated	VLN0.8750NCP	VLN0.8750NCP
10	Flat Washer, 7/8", Plated	VFW0.8750P	VFW0.8750P
11	Pull Pin, 7/8" x 4 1/4"	VPIN0.8750x4.2500	VPIN0.8750x4.2500
12	Brand Label	VLBLKIOTI	VLBLKIOTI
13	Serial Number Label	VLBLSERIAL	VLBLSERIAL
14	Model Number Label	VLBLRB1548	VLBLRB1560

20 Series Rear Blade Parts



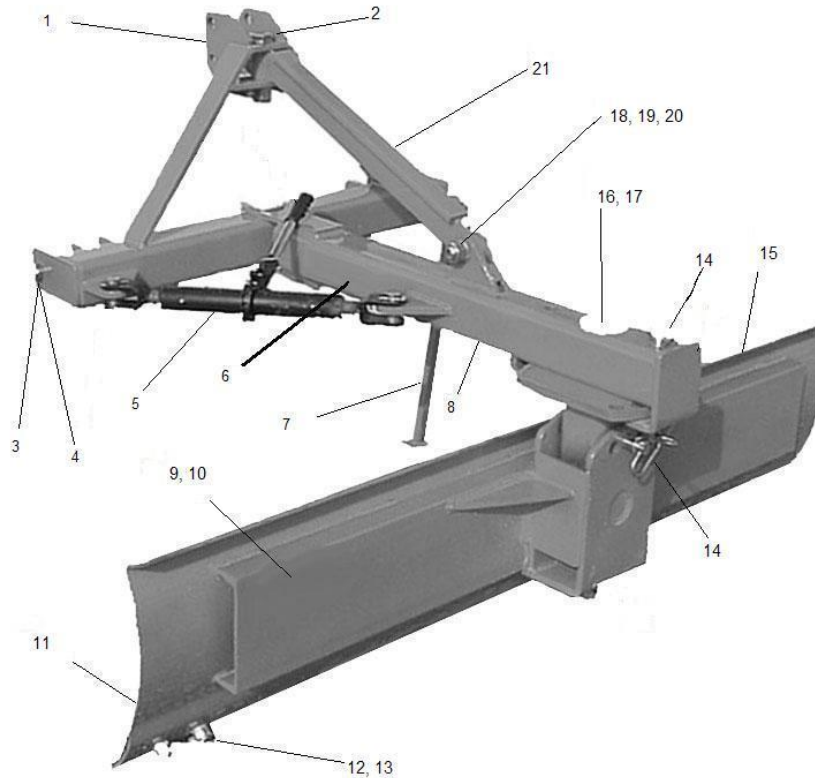
ITEM #	Description	RB20-60	RB20-72	RB20-84
1	Hitch Top Link	UH20-00-SA	UH20-00-SA	UH20-00-SA
2	Hitch Main Frame	UH20-00-SB	UH20-00-SB	UH20-00-SB
3	Blade Assembly	RB20-48-SE	RB20-60-SE	RB20-72-SE
4	Cap, 3"x3", Black, Plastic	VCAP3.000x3.000BP	VCAP3.000x3.000BP	VCAP3.000x3.000BP
5	Lift Pin, Cat 1, Threaded	VLIFTPIN1	VLIFTPIN1	VLIFTPIN1
6	Hex Bolt, 9/16"x4", NC, Plated	VHB0.5625x4.000NCP	VHB0.5625x4.000NCP	VHB0.5625x4.000NCP
7	Hex Nut, 9/16", NC, Plated	VHN0.5625NCP	VHN0.5625NCP	VHN0.5625NCP
8	Lock Washer, 9/16", Plated	VLW0.5625P	VLW0.5625P	VLW0.5625P
9	Lock Nut, 7/8", Plated	VLN0.8750NCP	VLN0.8750NCP	VLN0.8750NCP
10	Flat Washer, 7/8", Plated	VFW0.8750P	VFW0.8750P	VFW0.8750P
11	Pull Pin, 7/8" x 4 1/4"	VPIN0.8750x4.2500	VPIN0.8750x4.2500	VPIN0.8750x4.2500
12	Brand Label	VLBLKIOTI	VLBLKIOTI	VLBLKIOTI
13	Serial Number Label	VLBLSERIAL	VLBLSERIAL	VLBLSERIAL
14	Model Number Label	VLBLRB1548	VLBLRB1560	VLBLRB1572
15	Blade Edge, 6"x1/2"	VBE00-60-01	VBE00-72-01	VBE00-84-01
16	Plow Bolt, 5/8"x1 1/2", NC, Plated	VPB0.6250x1.500NCP	VPB0.6250x1.500NCP	VPB0.6250x1.500NCP
17	Hex Nut, 5/8", NC, Plated	VHN0.6250NCP	VHN0.6250NCP	VHN0.6250NCP

22 Series Rear Blade Parts



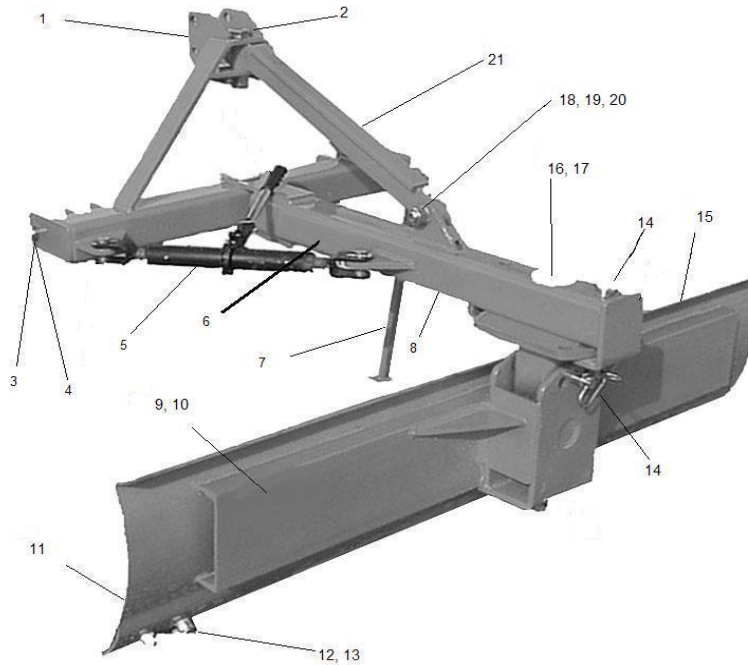
ITEM #	Description	RB22-60	RB22-72	RB22-84
1	Hitch Top Link	UH22-00-SA	UH22-00-SA	UH22-00-SA
2	Hitch Main Frame	UH22-00-SB	UH22-00-SB	UH22-00-SB
3	Tail tube Assembly	UH22-00-SC	UH22-00-SC	UH22-00-SC
4	Pivot Bracket Assembly	UH22-00-SD	UH22-00-SD	UH22-00-SD
5	Blade Assembly	RB22-60-SE	RB22-72-SE	RB22-84-SE
6	Lift Pin, Cat 1, Threaded	VLIFTPIN1	VLIFTPIN1	VLIFTPIN1
7	Hex Bolt, 9/16"x4", NC, Plated	VHB0.5625x4.000NCP	VHB0.5625x4.000NCP	VHB0.5625x4.000NCP
8	Hex Nut, 9/16", NC, Plated	VHN0.5625NCP	VHN0.5625NCP	VHN0.5625NCP
9	Lock Washer, 9/16", Plated	VLW0.5625P	VLW0.5625P	VLW0.5625P
10	Flat Washer, 3/4", Plated	VFW0.7500P	VFW0.7500P	VFW0.7500P
11	Lock Nut, 3/4", NC, Plated	VLN0.7500NCP	VLN0.7500NCP	VLN0.7500NCP
12	Pull Pin, 7/8" x 2 1/4"	VPIN0.8750x2.2500	VPIN0.8750x2.2500	VPIN0.8750x2.2500
13	Lock Nut, 7/8", Plated	VLN0.8750NCP	VLN0.8750NCP	VLN0.8750NCP
14	Flat Washer, 7/8", Plated	VFW0.8750P	VFW0.8750P	VFW0.8750P
15	Pull Pin, 7/8" x 4 1/4"	VPIN0.8750x4.2500	VPIN0.8750x4.2500	VPIN0.8750x4.2500
16	Pull Pin, 7/8" x 6 1/4"	VPIN0.8750x6.2500	VPIN0.8750x6.2500	VPIN0.8750x6.2500
17	Blade Edge, 6"x1/2"	VBE00-60-01	VBE00-72-01	VBE00-84-01
18	Plow Bolt, 5/8"x1 1/2", NC, Plated	VPB0.6250x1.500NCP	VPB0.6250x1.500NCP	VPB0.6250x1.500NCP
20	Hex Nut, 5/8", NC, Plated	VHN0.6250NCP	VHN0.6250NCP	VHN0.6250NCP
21	Brand Label	VLBLKIOTI	VLBLKIOTI	VLBLKIOTI
22	Warning Label	VLBLRB22WARN	VLBLRB22WARN	VLBLRB22WARN
23	Model Number Label	VLBLRB2260	VLBLRB2272	VLBLRB2284
24	Serial Number Label	VLBLSERIAL	VLBLSERIAL	VLBLSERIAL

30 Series Rear Blade Parts



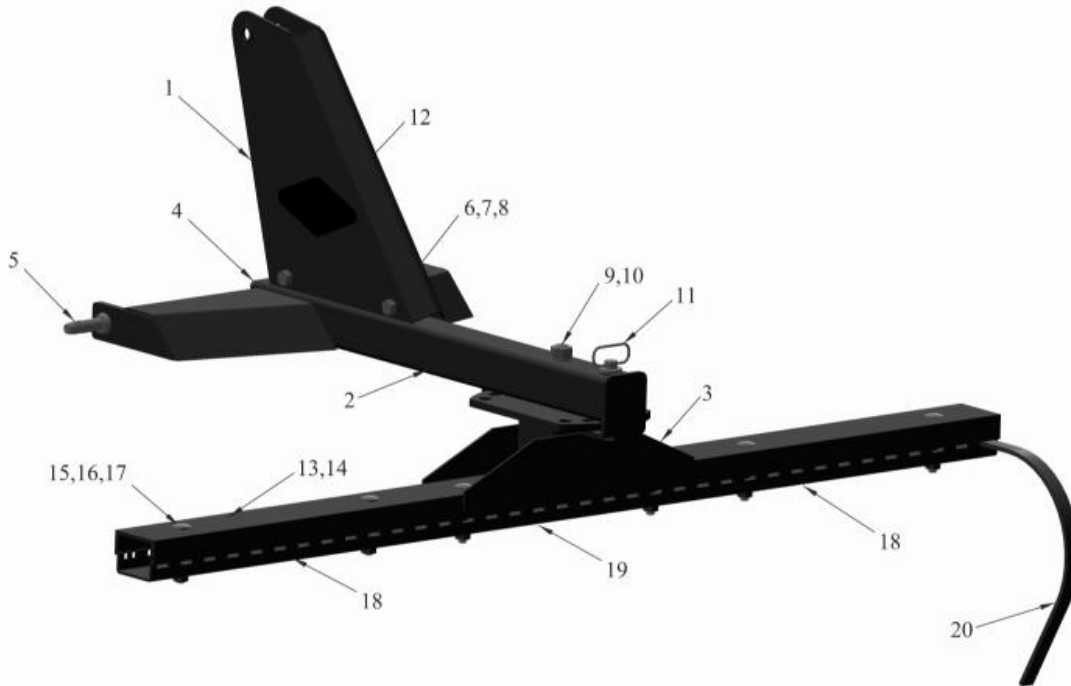
ITEM #	Description	RB30-72	RB30-84	RB30-96
1	Top Link Assembly	RB30-00-01W	RB40-00-01W	RB40-00-01W
2	2 1/4" HalfRound Pins	VPIN 2.25 HR	VPIN 2.25 HR	VPIN 2.25 HR
3	CAT 1-2 Step Pin	VPIN CAT 1-2	VPIN CAT 1-2	VPIN CAT 1-2
4	Linch Pin	VPIN 02703LP	VPIN 02703LP	VPIN 02703LP
5	Racket Jack	VRJ1542	VRJ1542	VRJ1542
6	Brand Logo	VLBL Midwest	VLBL Midwest	VLBL Midwest
7	Leg	RB40-00-05W	RB40-00-05W	RB40-00-05W
8	Hitch Tube Assembly	RB30-00-02W	RB40-00-02W	RB40-00-02W
9	Model Number	VLBLRB4072	VLBLRB4084	VLBLRB4096
10	Serial Number	VLBLRBS/N	VLBLRBS/N	VLBLRBS/N
11	Blade Edge	VBE007201	VBE008401	VBE009601
12	5/8"x1 1/2" Plow Bolt	VPB0.625x1.50	VPB0.625x1.50	VPB0.625x1.50
13	5/8" HEX NUT	VHN0.6250NCP	VHN0.6250NCP	VHN0.6250NCP
14	7/8"x6.25" Pull Pin	VPIN0.875x6.25	VPIN0.875x6.25	VPIN0.875x6.25
15	Moldboard/Tilt Assembly	RB30-72-01W	RB30-84-01W	RB30-96-01W
16	1 1/4" Flat Washer	VF/W 1.25PL	VF/W 1.25PL	VF/W 1.25PL
17	1 1/4" -7 Nylon Locknut	VL/N 1.25PL	VL/N 1.25PL	VL/N 1.25PL
18	1-8x3 Bolt	VHB1.00x3PL	VHB1.00x3PL	VHB1.00x3PL
19	1-8 Hexnut	VH/N 1.00PL	VH/N 1.00PL	VH/N 1.00PL
20	1-8 Lock Washer	VL/W 1.00PL	VL/W 1.00PL	VL/W 1.00PL
21	Toplink Brace	RB40-00-03W	RB40-00-03W	RB40-00-03W

40 Series Rear Blade Parts



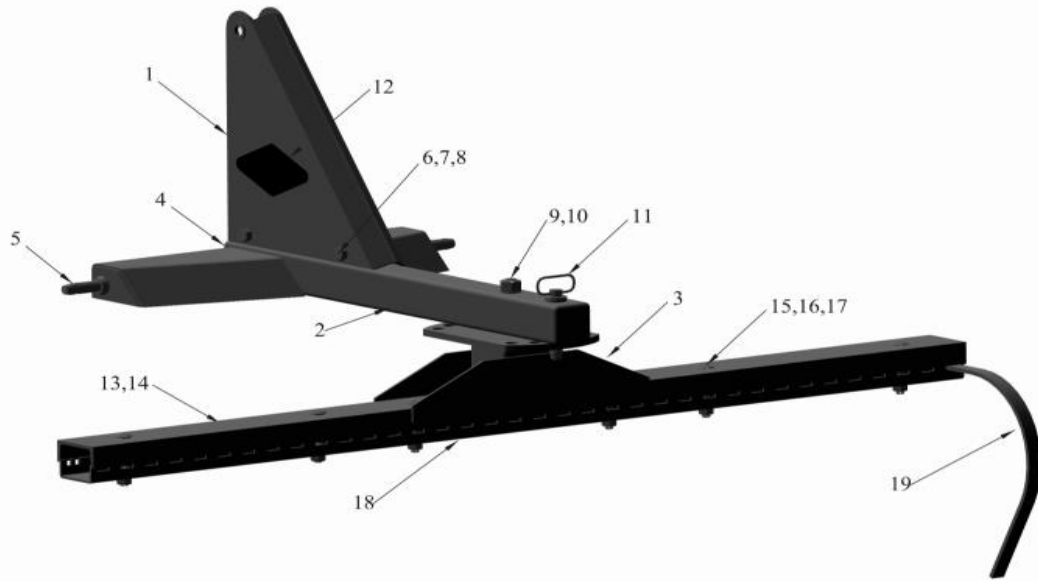
ITEM #	Description	RB40-72	RB40-84	RB40-96
1	Top Link Assembly	RB40-00-01W	RB40-00-01W	RB40-00-01W
2	2 1/4" HalfRound Pins	VPIN 2.25 HR	VPIN 2.25 HR	VPIN 2.25 HR
3	CAT 1-2 Step Pin	VPIN CAT 1-2	VPIN CAT 1-2	VPIN CAT 1-2
4	Linch Pin	VPIN 02703LP	VPIN 02703LP	VPIN 02703LP
5	Racket Jack	VRJ1542	VRJ1542	VRJ1542
6	Brand Logo	VLBL Midwest	VLBL Midwest	VLBL Midwest
7	Leg	RB40-00-05W	RB40-00-05W	RB40-00-05W
8	Hitch Tube Assembly	RB40-00-02W	RB40-00-02W	RB40-00-02W
9	Model Number	VLBLRB4072	VLBLRB4084	VLBLRB4096
10	Serial Number	VLBLRBS/N	VLBLRBS/N	VLBLRBS/N
11	Blade Edge	VBE007201	VBE008401	VBE009601
12	5/8"x1 1/2" Plow Bolt	VPB0.625x1.50	VPB0.625x1.50	VPB0.625x1.50
13	5/8" HEX NUT	VHN0.6250NCP	VHN0.6250NCP	VHN0.6250NCP
14	7/8"x6.25" Pull Pin	VPIN0.875x6.25	VPIN0.875x6.25	VPIN0.875x6.25
15	Moldboard/Tilt Assembly	RB30-72-01W	RB30-84-01W	RB30-96-01W
16	1 1/4" Flat Washer	VF/W 1.25PL	VF/W 1.25PL	VF/W 1.25PL
17	1 1/4" -7 Nylon Locknut	VL/N 1.25PL	VL/N 1.25PL	VL/N 1.25PL
18	1-8x3 Bolt	VHB1.00x3PL	VHB1.00x3PL	VHB1.00x3PL
19	1-8 Hexnut	VH/N 1.00PL	VH/N 1.00PL	VH/N 1.00PL
20	1-8 Lock Washer	VL/W 1.00PL	VL/W 1.00PL	VL/W 1.00PL
21	Toplink Brace	RB40-00-03W	RB40-00-03W	RB40-00-03W

15 Series Landscape Rake Parts



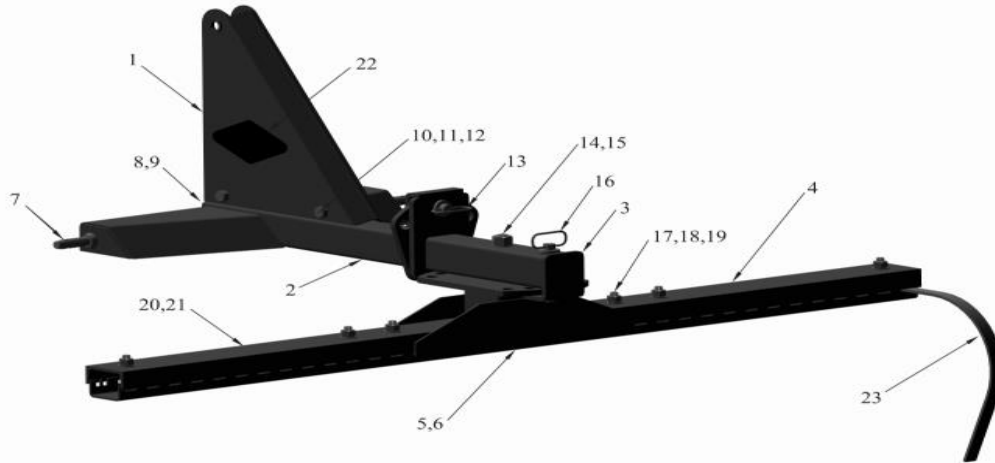
ITEM #	Description	LR15-60	LR15-72
1	Hitch Top Link	UH15-00-SA	UH15-00-SA
2	Hitch Main Frame	UH15-00-SB	UH15-00-SB
3	Rake Frame	LR15-60-SE	LR15-72-SE
4	Cap, 3"x3", Black, Plastic	VCAP3.000x3.000BP	VCAP3.000x3.000BP
5	Lift Pin, Cat 1, Threaded	VLIFTPIN1	VLIFTPIN1
6	Hex Bolt, 9/16"x4", NC, Plated	VHB0.5625x4.000NCP	VHB0.5625x4.000NCP
7	Hex Nut, 9/16", NC, Plated	VHN0.5625NCP	VHN0.5625NCP
8	Lock Washer, 9/16", Plated	VLW0.5625P	VLW0.5625P
9	Lock Nut, 7/8", Plated	VLN0.8750NCP	VLN0.8750NCP
10	Flat Washer, 7/8", Plated	VFW0.8750P	VFW0.8750P
11	Pull Pin, 7/8" x 4 1/4"	VPIN0.8750x4.2500	VPIN0.8750x4.2500
12	Brand Label	VLBLKIOTI	VLBLKIOTI
13	Serial Number Label	VLBLSERIAL	VLBLSERIAL
14	Model Number Label	VLBLKLR1560	VLBLKLR1572
15	Lock Washer, 5/8", Plated	VLW0.6250P	VLW0.6250P
16	Hex Nut, 5/8", NC, Plated	VHN0.6250NCP	VHN0.6250NCP
17	Carriage Bolt, 5/8"x4", NC, Plated	VCB0.6250x4.000NCP	VCB0.6250x4.000NCP
18	Tine Spacer, 18"	LR00-18-02	
19	Tine Spacer, 24"	LR00-24-02	LR00-24-02
20	5/16"x1" Rake Tine, BLC-101H	VTINE	VTINE

20 Series Landscape Rake Parts



ITEM #	Description	LR20-60	LR20-72	LR20-84
1	Hitch Top Link	UH20-00-SA	UH20-00-SA	UH20-00-SA
2	Hitch Main Frame	UH20-00-SB	UH20-00-SB	UH20-00-SB
3	Rake Frame	LR20-60-SE	LR20-72-SE	LR20-84-SE
4	Cap, 3"x3", Black, Plastic	VCAP3.000x3.000BP	VCAP3.000x3.000BP	VCAP3.000x3.000BP
5	Lift Pin, Cat 1, Threaded	VLIFTPIN1	VLIFTPIN1	VLIFTPIN1
6	Hex Bolt, 9/16"x4", NC, Plated	VHB0.5625x4.000NCP	VHB0.5625x4.000NCP	VHB0.5625x4.000NCP
7	Hex Nut, 9/16", NC, Plated	VHN0.5625NCP	VHN0.5625NCP	VHN0.5625NCP
8	Lock Washer, 9/16", Plated	VLW0.5625P	VLW0.5625P	VLW0.5625P
9	Lock Nut, 7/8", Plated	VLN0.8750NCP	VLN0.8750NCP	VLN0.8750NCP
10	Flat Washer, 7/8", Plated	VFW0.8750P	VFW0.8750P	VFW0.8750P
11	Pull Pin, 7/8" x 4 1/4"	VPIN0.8750x4.2500	VPIN0.8750x4.2500	VPIN0.8750x4.2500
12	Brand Label	VLBLKIOTI	VLBLKIOTI	VLBLKIOTI
13	Serial Number Label	VLBLSERIAL	VLBLSERIAL	VLBLSERIAL
14	Model Number Label	VLBLRB1548	VLBLRB1560	VLBLRB1572
15	Lock Washer, 5/8", Plated	VLW0.6250P	VLW0.6250P	VLW0.6250P
16	Hex Nut, 5/8", NC, Plated	VHN0.6250NCP	VHN0.6250NCP	VHN0.6250NCP
17	Carriage Bolt, 5/8"x4", NC, Plated	VCB0.6250x4.000NCP	VCB0.6250x4.000NCP	VCB0.6250x4.000NCP
18	Tine Spacer 24"	LR00-24-02	LR00-24-02	LR00-24-02
19	5/16"x1" Rake Tine	VTINE	VTINE	VTINE

21 Series Landscape Rake Parts



ITEM #	Description	LR21-72	LR21-84	LR21-96
1	Hitch Top Link	UH22-00-SA	UH22-00-SA	UH22-00-SA
2	Hitch Main Frame	UH22-00-SB	UH22-00-SB	UH22-00-SB
3	Tail tube Assembly	UH22-00-SC	UH22-00-SC	UH22-00-SC
4	Rake Frame	LR21-72-SE	LR21-84-SE	LR21-96-SE
5	Tine Spacer, 18"		LR00-18-02	
6	Tine Spacer, 24"	LR00-24-02	LR00-24-02	LR00-24-02
7	Lift Pin, Cat 1, Threaded	VLIFTPIN1	VLIFTPIN1	VLIFTPIN1
8	Flat Washer, 3/4", Plated	VFW0.7500P	VFW0.7500P	VFW0.7500P
9	Lock Nut, 3/4", NC, Plated	VLN0.7500NCP	VLN0.7500NCP	VLN0.7500NCP
10	Hex Bolt, 9/16"x4", NC, Plated	VHB0.5625x4.000NCP	VHB0.5625x4.000NCP	VHB0.5625x4.000NCP
11	Hex Nut, 9/16", NC, Plated	VHN0.5625NCP	VHN0.5625NCP	VHN0.5625NCP
12	Lock Washer, 9/16", Plated	VLW0.5625P	VLW0.5625P	VLW0.5625P
13	Pull Pin, 7/8" x 2 1/4"	VPIN0.8750x2.2500	VPIN0.8750x2.2500	VPIN0.8750x2.2500
14	Lock Nut, 7/8", Plated	VLN0.8750NCP	VLN0.8750NCP	VLN0.8750NCP
15	Flat Washer, 7/8", Plated	VFW0.8750P	VFW0.8750P	VFW0.8750P
16	Pull Pin, 7/8" x 4 1/4"	VPIN0.8750x4.2500	VPIN0.8750x4.2500	VPIN0.8750x4.2500
17	Lock Washer, 5/8", Plated	VLW0.6250P	VLW0.6250P	VLW0.6250P
18	Hex Nut, 5/8", NC, Plated	VHN0.6250NCP	VHN0.6250NCP	VHN0.6250NCP
19	Carriage Bolt, 5/8"x4", NC, Plated	VCB0.6250x4.000NCP	VCB0.6250x4.000NCP	VCB0.6250x4.000NCP
20	Serial Number Label	VLBLSERIAL	VLBLSERIAL	VLBLSERIAL
21	Model Number Label	VLBLRB2260	VLBLRB2272	VLBLRB2284
22	Brand Label	VLBLKIOTI	VLBLKIOTI	VLBLKIOTI
23	5/16"x1" Rake Tine	VTINE	VTINE	VTINE