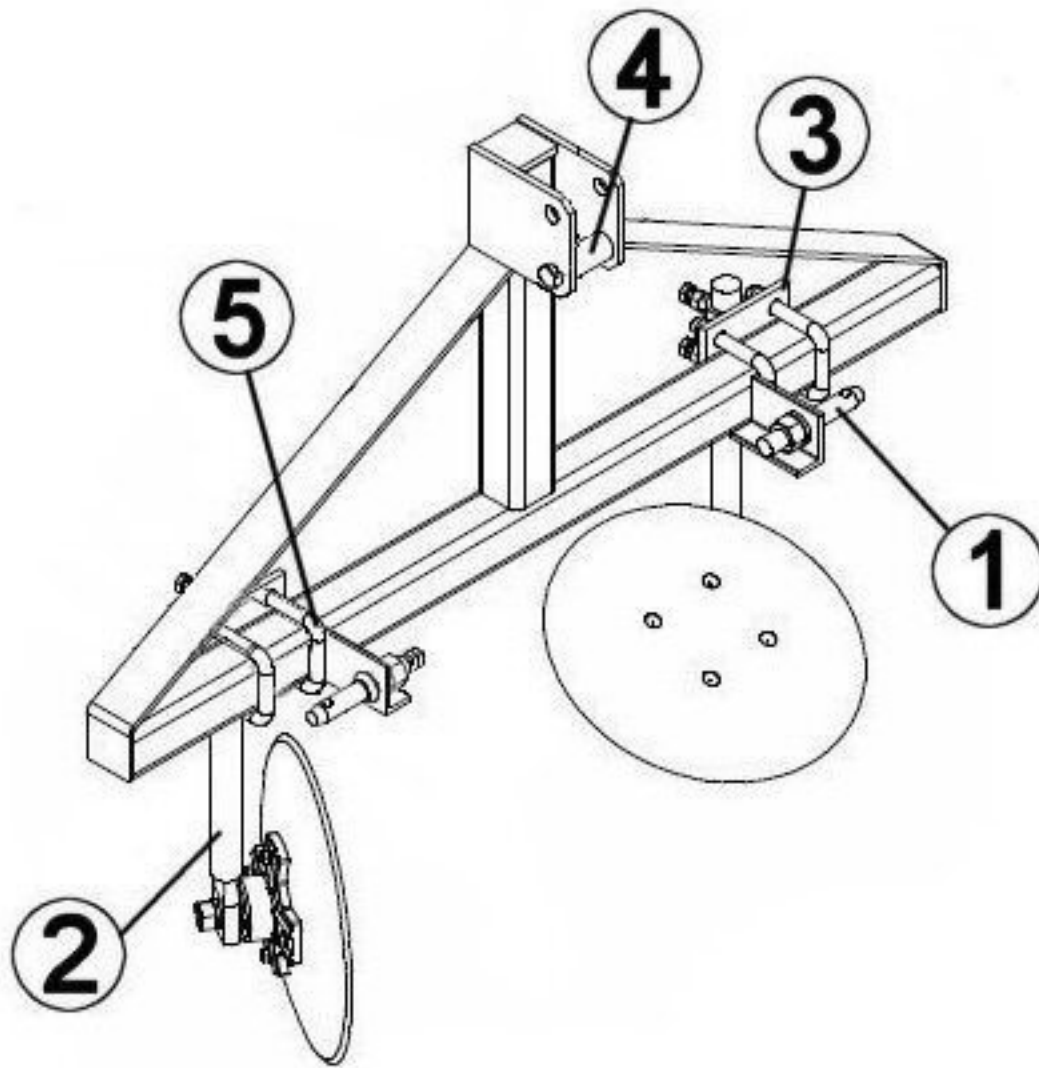


# DISC BEDDER



No.	Part No.	Description
<u>1</u>	500001	LIFT PINS - CAT. 1, 2-PK.
<u>2</u>	191250	DISC 14" & SHANK 16" ASSEMBLY
<u>3</u>	507010	SHANK HOLDER PLATE W/BOLTS
<u>4</u>	507011	SPACER KIT
<u>5</u>	507012	U-BOLT PKG.