



WOODY LATERAL BRUSHCUTTERS

5', 5' TL, 6', 6' TL MODELS

AGRICULTURAL AND FORESTRY APPLICATIONS



Woody Equipment

Woody Equipment designs and manufactures robust and high quality forestry and agricultural equipment.

Designed and manufactured in Quebec

equipementswoody.com

The Woody brushcutters are mounted on a 3-point hitch, the front and transverse frames are made entirely of 1/4" HSS 50W, the mower is also made entirely of 3/16" and 1/4" 50W plates. With its large capacity and robust design, it can be used to cut different types of materials, such as bushes, shrubs and small trees up to 3" in diameter. Compared to other brushcutters, The Woody brushcutter produces small pieces of debris and is very effective in maintaining large areas and is ideal for clearing the edges of agricultural fields and forest roadsides.

Woody brushcutters are equipped with proven and effective mechanics, that is two PTO's Class 50 with a built-in clutch to protect the system, a 60 hp gearbox with a ratio of 1 to 1.5 and a second 55 hp gearbox with a ratio of 1 to 1.12. They are equipped with a rotating plate with a pivoting knife at each end of the plate to lighten the work of the clutch. The front chassis is equipped with a double hinged chassis to prevent torsion should a collision occur. They are optionally equipped with a 3/8" chain rear impact curtain to stop or slow debris considerably.

They are also equipped with a hydraulic safety system, a simple action lifting system, a ball valve on the lifting mechanism to secure maintenance, a hydraulic telescope to extend the maximum cutting range and a hydraulic pivot to position the mower horizontally or at an angle.

equipementswoody.com

WOODY LATERAL BRUSHCUTTERS



Telescopic extension - closed



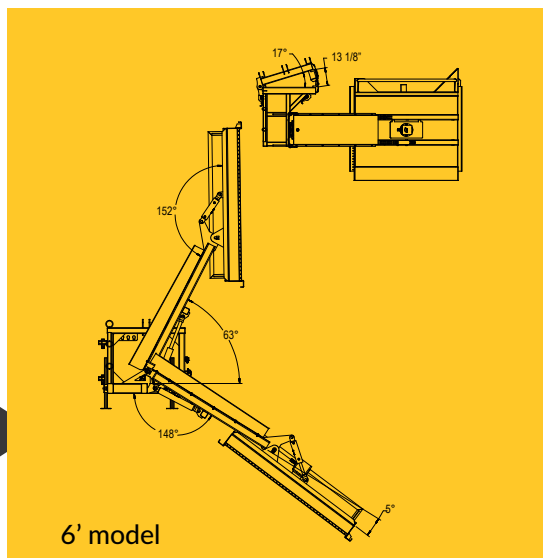
Telescopic extension - opened

The 5' and 6' telescopic model and the 6' model comes standard with a double frame protection system to prevent frame twisting.

equipementswoody.com

TECHNICAL DATA - WOODY BRUSHCUTTER

MODEL	5'	5' TL 28"	6'	6' TL 28"
RECOMMENDED VEHICLE	60 HP	60 HP	80 HP	80 HP
Minimum carrier operating weight (lb)	6500	7000	8000	8000
Cutting width (in.)	60	60	72	72
Maximum cutting range [measured from center of tractor] (in.)	114	142	127	155
Rotating knives +/- (rpm)	910	910	910	910
PTO	540	540	540	540
Clutch on PTO	standard	standard	standard	standard
PTO Category	50	50	50	50
Gearbox capacity (hp)	60	60	60	60
Double chassis protection system with trigger to prevent chassis torsion	n/a	standard	standard	standard
Rear impact curtain (3/8" chain)	optional	optional	optional	optional
Brushcutter weight (lb)	1725	2000	2150	2300



V2.20170515-EN — Designed by Expressions Grafik

WOODY EQUIPMENT INC.
205 rue Commerciale, Saint-Odilon (QC) G0S 3A0
T. 418 464-2748 | F. 418 464-2746
info@equipementswoody.com

