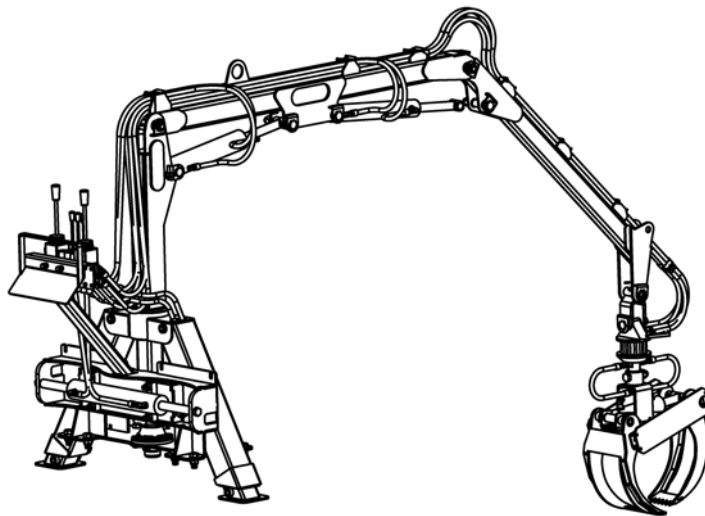




Manuel de Pièces Chargeuses Forestières



Log Loader

Parts Manual

Modèle/ Model : 115, 130, 150, 170



**Les Équipements Woody inc.
Propriétaire : Jérôme et Sébastien Labbé**

**205 rue Commerciale
St-Odilon de Cranbourne
Beauce-Nord
Québec, Canada
G0S 3A0**

**Tél. / Tel. : (418) 464-2748
Télec. / Fax : (418) 464-2746**

**Courriel : ewoody@sogetel.net
Site Web: www.equipementswoody.com**

Les Équipements Woody inc.

© Tous droits réservés Les Équipements Woody inc. de St-Odilon de Cranbourne : Aucune copie ou reproduction de ce manuel, en tout ou en partie ne doit être fait, sans l'autorisation écrite de Les Équipements Woody inc.

© Copyright Les Équipements Woody inc. of St-Odilon de Cranbourne : This catalog may not be reproduced, in whole or in part, without the written permission of Les Équipements Woody inc.

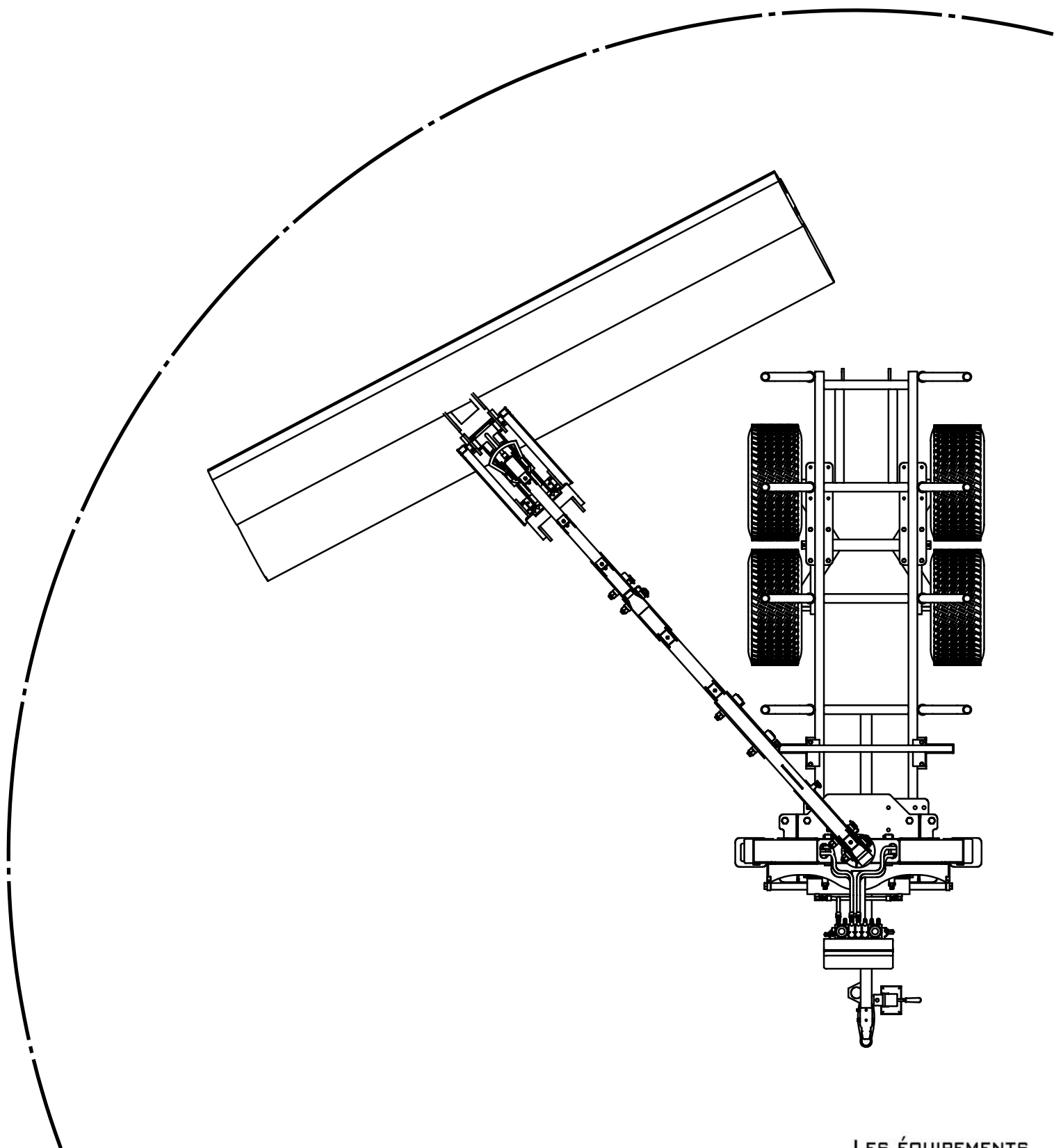


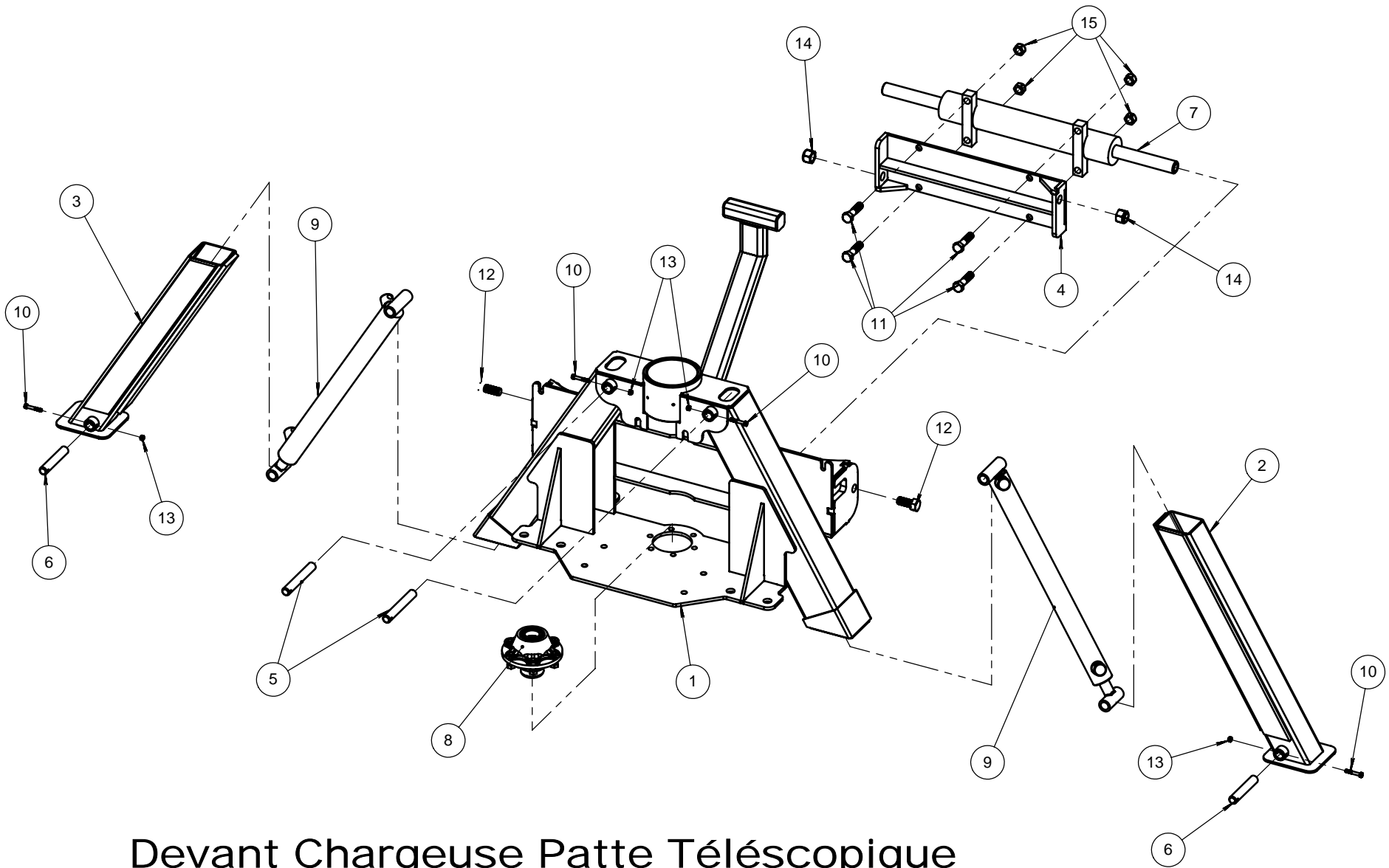
Table des matières / Contents

| Français | English | Page |
|---|------------------------------------|-------------|
| Avertissement | Warning..... | 4 |
| Devant chargeuse patte télescopique..... | Loader Front Telescopic Foot.... | 5-6 |
| Flèche de manutention..... | Loader Boom..... | 7-8 |
| Assemblage poteau & pattes..... | Foots & Boom Assembly..... | 9 |
| Pièces système hydraulique..... | Hydraulic System Parts..... | 10-11 |
| Fonctionnement des commandes hydraulique..... | Operation of Hydraulic Controls... | 12 |
| Maintenance & graissage..... | Lubrication & Maintenance..... | 13 |
| Connections du système hydraulique..... | Hydraulic System Connections.... | 14-16 |
| Option pinces..... | Clamp Option..... | 17-19 |
| Option godet..... | Bucket Option..... | 20-22 |
| Option tarière..... | Auger Option..... | 23 |
| Option treuil..... | Winch Option..... | 24-28 |
| Option unité hydraulique..... | Power Unite Option..... | 29 |
| Gamme des produits Woody..... | Woody Products Line..... | 30-32 |

Zone de travail au dela de 20 mètres

Work Area Over 20 Meters



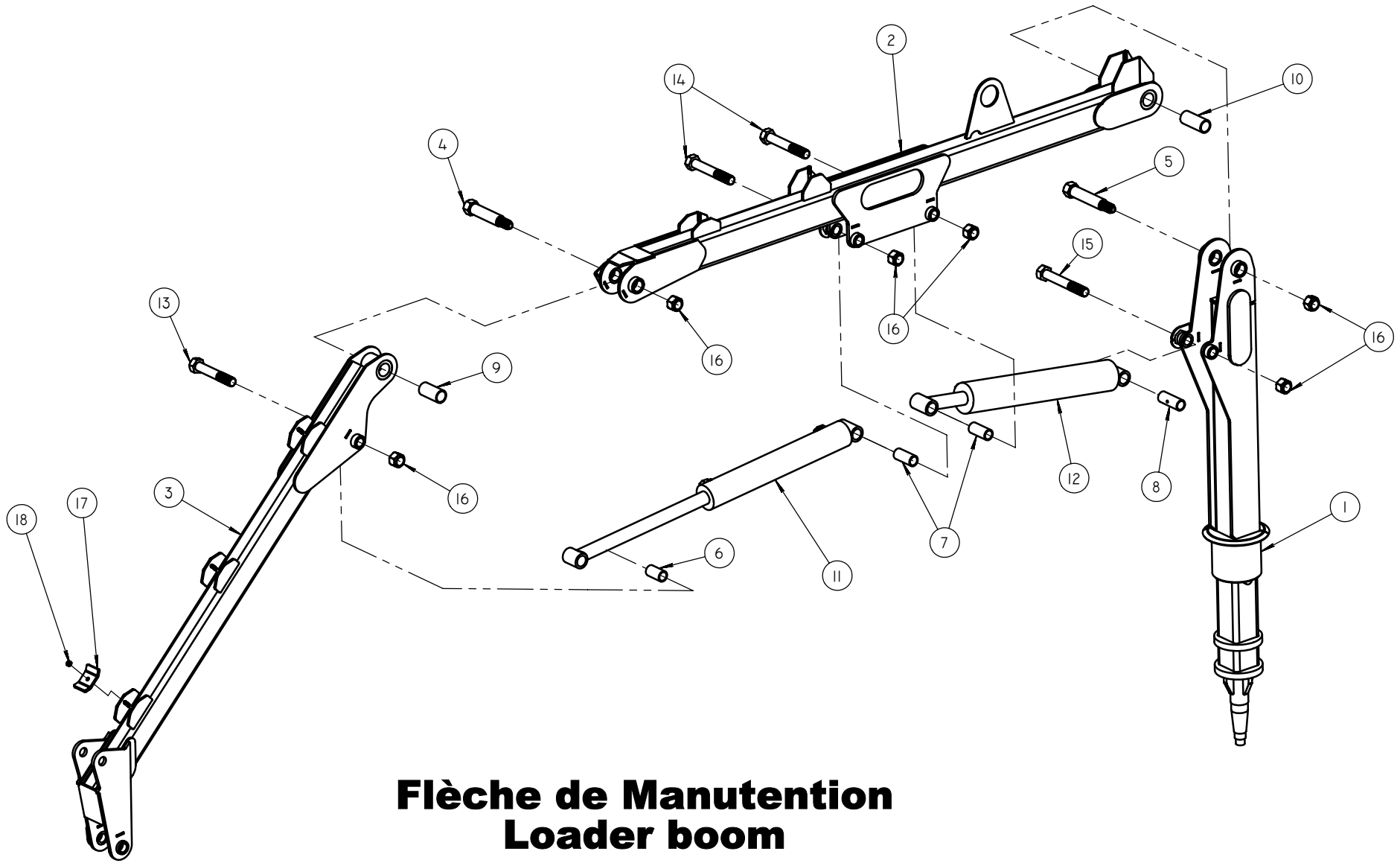


Devant Chargeuse Patte Télésopique
Loader Front Telescopic Foot

Devant Chargeuse Patte Télésopique

Loader Front Telescopic Foot

| No. Article | Numéro de Pièce / Part Number | Description / Français | Description / English | 115/Qtré | 115/Qty | 130/Qtré | 130/Qty | 150/Qtré | 150/Qty | 170/Qtré | 170/Qty |
|-------------|-------------------------------|---------------------------------------|--|----------|---------|----------|---------|----------|---------|----------|---------|
| | | | | | | | | | | | |
| 1 | 60-021-01 | | | 1 | | | | | | | |
| | 60-018-01 | Devant Chargeuse Patte Télésopique | Loader Front Telescopic Foot | | | 1 | | | | | |
| | 60-019-01 | | | | | | | 1 | | | |
| | 60-020-01 | | | | | | | | | 1 | |
| 2 | 60-012-06 | Patte Télésopique Chargeus e | Loader Telescopic Foot | 1 | | | | | | | |
| | 60-018-05 | | | | | 1 | | 1 | | 1 | |
| 3 | 60-012-05 | Patte Télésopique Chargeuse | Loader Telescopic Foot | 1 | | | | | | | |
| | 60-018-06 | | | | | 1 | | 1 | | 1 | |
| 4 | 60-021-05 | Guide de Rotation | Swing Guide | 1 | | | | | | | |
| | 60-018-07 | | | | | 1 | | 1 | | 1 | |
| 5 | 86-16-112-E08-00 | Goupille | Pin | 2 | | | | | | | |
| | 86-16-130-E08-00 | | | | | 2 | | 2 | | 2 | |
| 6 | 86-16-92-E08-00 | Goupille | Pin | 2 | | | | | | | |
| | 86-16-108-E08-00 | | | | | 2 | | 2 | | 2 | |
| 7 | SPE3008-1500-WO | Cylindre Hydraulique Double | Double Hydraulic Cylinder | 1 | | | | | | | |
| | SPE3509,75-2000 | | | | | 1 | | 1 | | 1 | |
| 8 | HUB H5000 ASS | Moyeu de Tourelle | Turntable Hub | 1 | | | | | | | |
| | HUB H8000 ASS | | | | | 1 | | 1 | | 1 | |
| 9 | HBU2024-125-SP | Cylindre Hydraulique | Hydraulic Cylinder | 2 | | | | | | | |
| | HBU2036-125-SP | | | | | 2 | | 2 | | 2 | |
| 10 | B-05-18-32-14 | Boulon 5/16"-18 X2" Long X7/8" Filet | Bolt 5/16"-18 X2" Lenght X7/8" Thread | 4 | | 4 | | 4 | | 4 | |
| 11 | B-12-10-48-28 | Boulon 3/4"-10 X3" Long X1 3/4" Filet | Bolt 3/4"-10 X3" Lenght X1 3/4" Thread | 4 | | 4 | | 4 | | 4 | |
| 12 | B-14-14-32-32 | Boulon 7/8"-14 X2" Long X2" Filet | Bolt 7/8"-14 X2" Lenght X2" Thread | 2 | | 2 | | 2 | | 2 | |
| 13 | BLN-05-18 | Écrou Autobloquant 5/16"-18 | Lock Nut 5/16" - 18 | 4 | | 4 | | 4 | | 4 | |
| 14 | BLN-12-10 | Écrou Autobloquant 3/4"-10 | Lock Nut 3/4" - 10 | 4 | | 4 | | 4 | | 4 | |
| 15 | BLN-16-8 | Écrou Autobloquant 1"-8 | Lock Nut 1" - 8 | 2 | | 2 | | 2 | | 2 | |

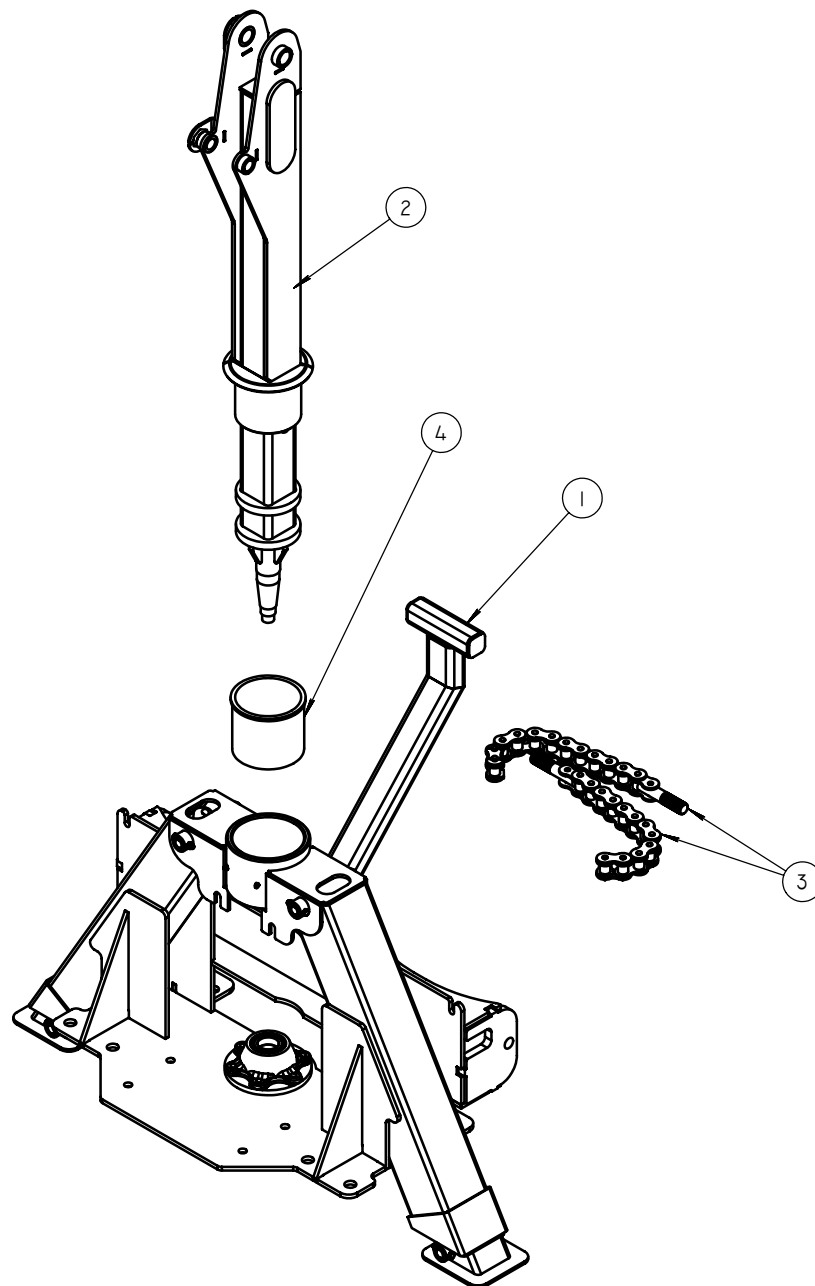


**Flèche de Manutention
Loader boom**

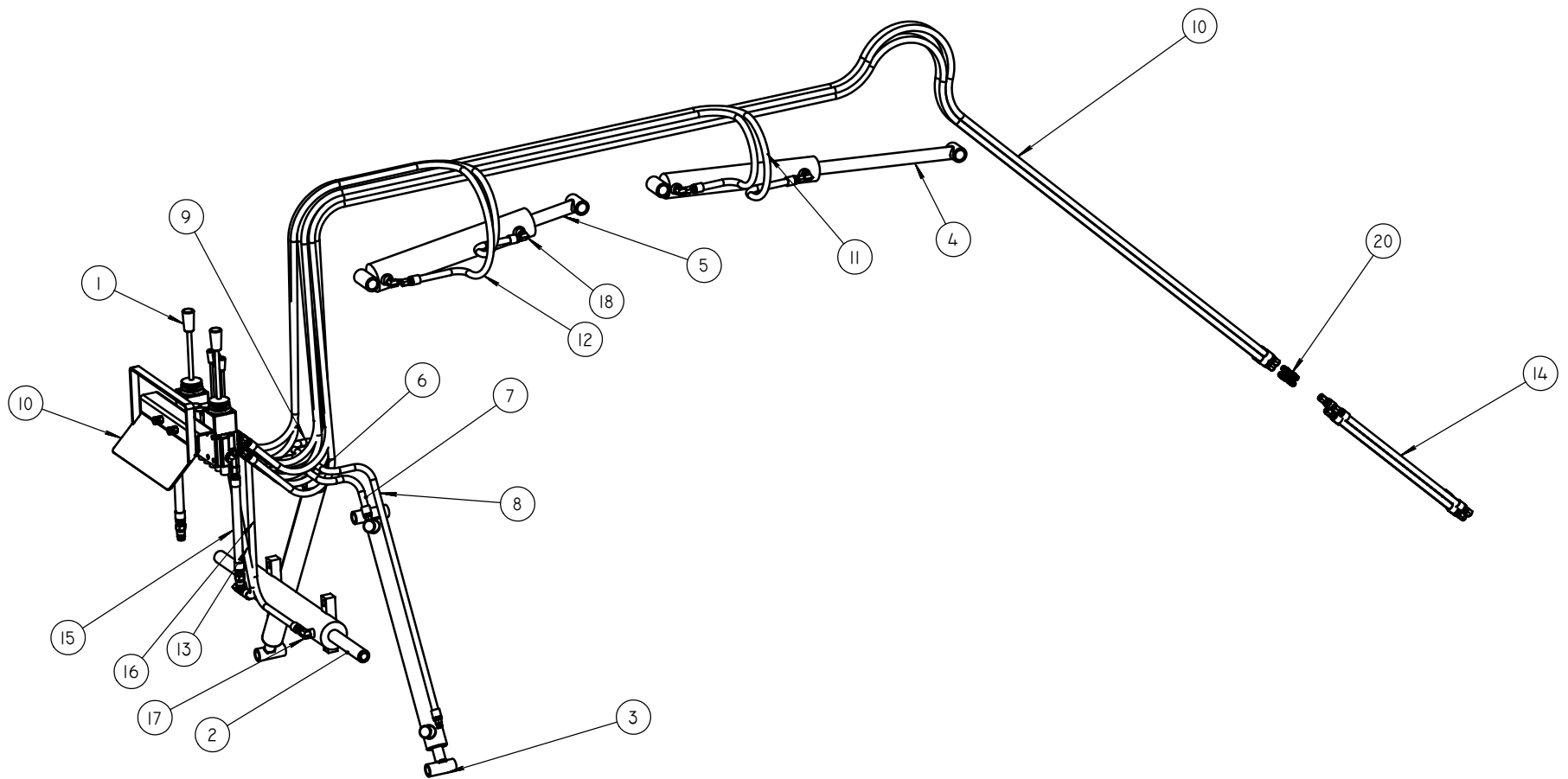
Flèche de Manutention Loader Boom

| No. Article | Numéro de Pièce / Part Number | Description / Français | Description / English | 115/Qté | 115/Qty | 130/Qté | 130/Qty | 150/Qté | 150/Qty | 170/Qté | 170/Qty |
|-------------|----------------------------------|--|---|---------|---------|---------|---------|---------|---------|---------|---------|
| | | | | | | | | | | | |
| 1 | 60-021-02 | | | 1 | | | | | | | |
| | 60-018-02 | Poteau Chargeuse | Mast Boom | | | 1 | | | | | |
| | 60-019-02 | | | | | | | 1 | | | |
| | 60-020-02 | | | | | | | | | 1 | |
| 2 | 60-021-03 | | | 1 | | | | | | | |
| | 60-018-03 | Flèche Principale | Main Boom | | | 1 | | | | | |
| | 60-019-03 | | | | | | | 1 | | | |
| | 60-020-03 | | | | | | | | | 1 | |
| 3 | 60-021-04 | | | 1 | | | | | | | |
| | 60-018-04 | Flèche Avant | Stick | | | 1 | | | | | |
| | 60-019-04 | | | | | | | 1 | | | |
| | 60-020-04 | | | | | | | | | 1 | |
| 4 | 60-012-07 | Pivot Flèche Avant | Pivot Stick | 1 | | | | | | | |
| | 60-006-08 | | | | | 1 | | 1 | | 1 | |
| 5 | 60-012-08 | Pivot Flèche Principale | Pivot Main Boom | 1 | | | | | | | |
| | 60-006-09 | | | | | 1 | | 1 | | 1 | |
| 6 | 89-20-16-36-D18-00 | Douille de Plastique | Plastic Bushing | 1 | | | | | | | |
| | 89-24-20-44-D22-00 | | | | | 1 | | 1 | | 1 | |
| 7 | 89-20-16-44-D22-00 | Douille de Plastique | Plastic Bushing | 2 | | | | | | | |
| | 89-24-20-60-D30-00 | | | | | 2 | | 2 | | 2 | |
| 8 | 89-20-16-52-D26-00 | Douille de Plastique | Plastic Bushing | 1 | | | | | | | |
| | 89-24-20-76-D38-00 | | | | | 1 | | 1 | | 1 | |
| 9 | 89-24-20-46-D23-00 | Douille de Plastique | Plastic Bushing | 1 | | | | | | | |
| | 89-28-24-62-D31-00 | | | | | 1 | | 1 | | 1 | |
| 10 | 89-24-20-54-D27-00 | Douille de Plastique | Plastic Bushing | 1 | | | | | | | |
| | 89-28-24-78-D39-00 | | | | | 1 | | 1 | | 1 | |
| 11 | HBU2516-150-SP | | | 1 | | | | | | | |
| | HBU3016-150-SP | Cylindre Hydraulique | Hydraulic Cylinder | | | 1 | | | | | |
| | HBU3024-175-SP | | | | | | | 1 | | 1 | |
| 12 | HBU3016-150-SP | | | 1 | | | | | | | |
| | HBU3518-175-SP | Cylindre Hydraulique | Hydraulic Cylinder | | | 1 | | | | | |
| | HBU3524-175-SP | | | | | | | 1 | | 1 | |
| 13 | B-16-08-96-36 | Boulon 1"-8 X 6" Long X 2 1/4" Filet | Bolt 1"-8 X 6" Length X 2 1/4" Thread | 1 | | | | | | | |
| | B-16-08-112-40 | Boulon 1"-8 X 7" Long X 2 1/2" Filet | Bolt 1"-8 X 7" Length X 2 1/2" Thread | | | 1 | | 1 | | 1 | |
| 14 | B-16-08-104-40 | Boulon 1"-8 X 6 1/2" Long X 2 1/2" Filet | Bolt 1"-8 X 6 1/2" Length X 2 1/2" Thread | 2 | | | | | | | |
| | B-16-08-128-40 | Boulon 1"-8 X 8" Long X 2 1/2" Filet | Bolt 1"-8 X 8" Length X 2 1/2" Thread | | | 2 | | 2 | | 2 | |
| 15 | B-16-08-112-40 | Boulon 1"-8 X 7" Long X 2 1/2" Filet | Bolt 1"-8 X 7" Length X 2 1/2" Thread | 1 | | | | | | | |
| | B-16-08-144-40 | Boulon 1"-8 X 9" Long X 2 1/2" Filet | Bolt 1"-8 X 9" Length X 2 1/2" Thread | | | 1 | | 1 | | 1 | |
| 16 | BLN-16-8 | Écrou Autobloquant 1"-8 | Lock Nut 1" - 8 | 6 | | 6 | | 6 | | 6 | |
| 17 | 60-000-060 | Plaque de retenue des tubes hydraulique | Hydraulic Hose Retention Plate | 6 | | 6 | | 6 | | 6 | |
| 18 | BLN-5-18 | Écrou Autobloquant 5/16-18 | Lock Nut 5/16"-18 | 6 | | 6 | | 6 | | 6 | |

| No. Article | Numéro de Pièce / Part Number | Description / Français | Description / English | 115/Qté | 115/Qty | 130/Qté | 130/Qty | 150/Qté | 150/Qty | 170/Qté | 170/Qty |
|-------------|-------------------------------|------------------------------------|-----------------------------|---------|---------|---------|---------|---------|---------|---------|---------|
| 1 | 60-021-01 | | | 1 | | | | | | | |
| | 60-018-01 | Devant Chargeuse Patte Télésopique | LoaderFront Foot Telescopic | | | 1 | | | | | |
| | 60-019-01 | | | | | | | 1 | | | |
| | 60-020-01 | | | | | | | | | 1 | |
| 2 | 60-021-02 | | | 1 | | | | | | | |
| | 60-018-02 | Poteau Chargeuse | Mast Boom | | | 1 | | | | | |
| | 60-019-02 | | | | | | | 1 | | | |
| | 60-020-02 | | | | | | | | | 1 | |
| 3 | 60-003-08 | | | 2 | | | | | | | |
| | 60-018-08 | Chaîne de rotation | Rotation Chain | | | 2 | | 2 | | | |
| | 60-020-06 | | | | | | | | | 2 | |
| 4 | 60-012-028 | Douille de rotation | Rotation Tube | 1 | | | | | | | |
| | 60-003-055 | | | | | 1 | | 1 | | 1 | |

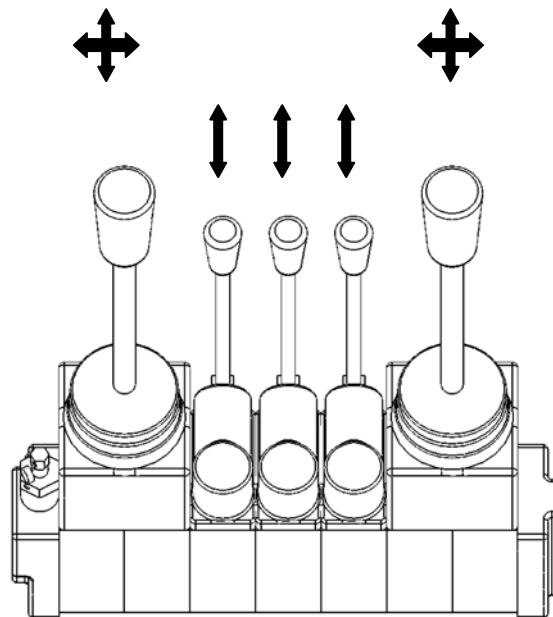
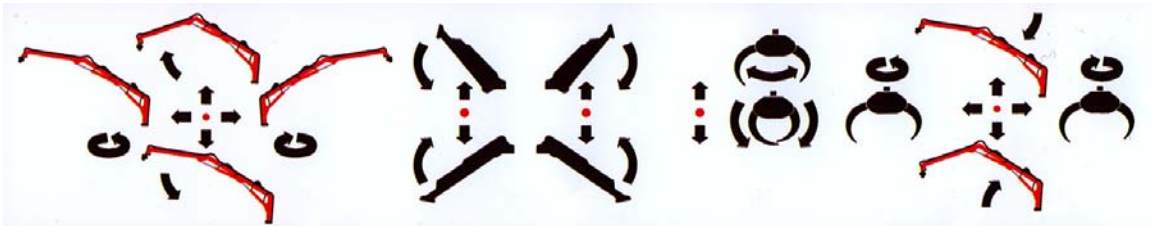


Systeme Hydraulique Hydraulic System

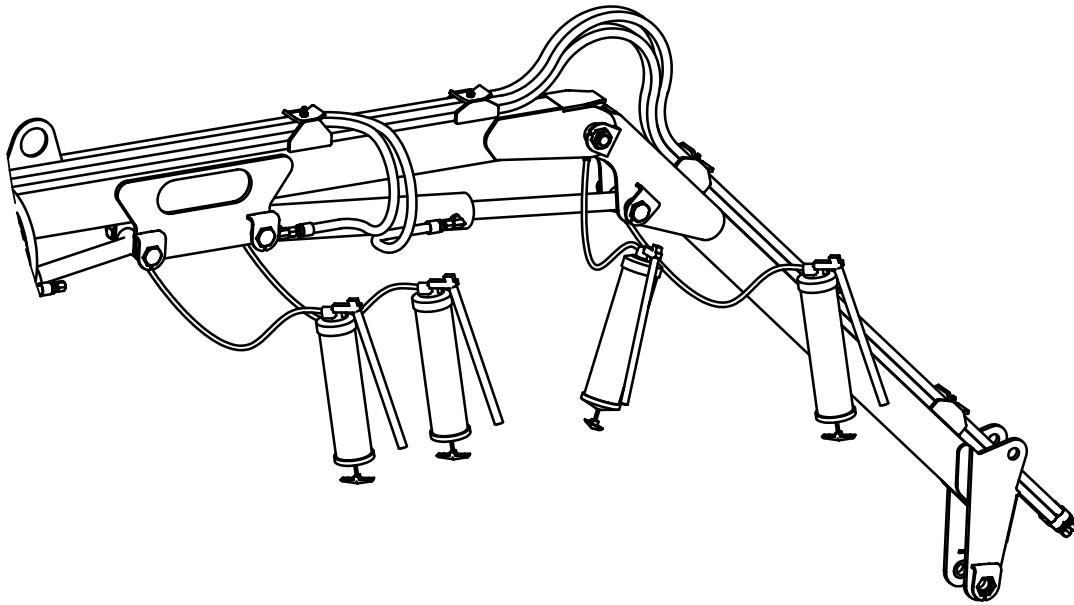


Pièce du Système Hydraulique / Hydraulic System Parts

| No. Article | Description / Français | Description / English | No. Pièce / Part No. | 115 / Qté. | 115 / Qty. | 130 / Qté. | 130 / Qty. | 150 / Qté. | 150 / Qty. | 170 / Qté. | 170 / Qty. |
|-------------|--|---|----------------------|------------|------------|------------|------------|------------|------------|------------|------------|
| | | | | | | | | | | | |
| 1 | Valve Hydraulique | Hydraulic Control | Valve 7 Sections | 1 | | 1 | | 1 | | 1 | |
| 2 | Cylindre Hydraulique Double | Double Hydraulic Cylinder | SPE3008-1500-WO | 1 | | | | | | | |
| | | | SPE3009,75-2000 | | | 1 | | 1 | | 1 | |
| 3 | Cylindre Hydraulique | Hydraulic Cylinder | HBU2040-125-SP | 2 | | | | | | | |
| | | | HBU2036-125-SP | | | 2 | | | | | |
| | | | HBU2036-125-SP | | | | | 2 | | | |
| | | | HBU2036-125-SP | | | | | | | 2 | |
| 4 | Cylindre Hydraulique | Hydraulic Cylinder | HBU2516-150-SP | 1 | | | | | | | |
| | | | HBU3016-150-SP | | | 1 | | | | | |
| | | | HBU3024-175-SP | | | | | 1 | | | |
| | | | HBU3024-175-SP | | | | | | | 1 | |
| 5 | Cylindre Hydraulique | Hydraulic Cylinder | HBU3016-150-SP | 1 | | | | | | | |
| | | | HBU3518-175-SP | | | 1 | | | | | |
| | | | HBU3524-175-SP | | | | | 1 | | | |
| | | | HBU3524-175-SP | | | | | | | 1 | |
| 6 | Boyau Hydraulique | Hydraulic Hose | 60-012-09 | 1 | | 1 | | 1 | | 1 | |
| 7 | Boyau Hydraulique | Hydraulic Hose | 60-012-10 | 1 | | 1 | | 1 | | 1 | |
| 8 | Boyau Hydraulique | Hydraulic Hose | 60-012-11 | 1 | | 1 | | 1 | | 1 | |
| 9 | Boyau Hydraulique | Hydraulic Hose | 60-012-12 | 1 | | 1 | | 1 | | 1 | |
| 10 | Boyau Hydraulique | Hydraulic Hose | 60-012-13 | 4 | | | | | | | |
| | | | 60-18-10 | | | 4 | | | | | |
| | | | 60-19-06 | | | | | 4 | | | |
| | | | 60-20-07 | | | | | | | 4 | |
| 11 | Boyau Hydraulique | Hydraulic Hose | 60-021-06 | 2 | | | | | | | |
| | | | 60-018-16 | | | 2 | | | | | |
| | | | 60-019-07 | | | | | 2 | | | |
| | | | 60-020-08 | | | | | | | 2 | |
| 12 | Boyau Hydraulique | Hydraulic Hose | 60-021-07 | 2 | | | | | | | |
| | | | 60-018-16 | | | 2 | | | | | |
| | | | 60-019-08 | | | | | 2 | | | |
| | | | 60-020-09 | | | | | | | 2 | |
| 13 | Boyau Hydraulique | Hydraulic Hose | 60-021-08 | 1 | | 1 | | 1 | | 1 | |
| 14 | Boyau Hydraulique | Hydraulic Hose | 60-017-20 | 4 | | 4 | | 4 | | 4 | |
| 15 | Boyau Hydraulique | Hydraulic Hose | 60-018-09 | 1 | | 1 | | 1 | | 1 | |
| 16 | Boyau Hydraulique | Hydraulic Hose | 60-021-09 | 1 | | 1 | | 1 | | 1 | |
| 17 | Couse 90° NPSM Fem SWI X NPT Mâle 3/8" x 3/8" 1/16 | ELBOW 90° NPSM Female SWI X NPT Male 3/8" x 3/8" 1/16 | 9405-06-06,0625 | 2 | | 2 | | 2 | | 2 | |
| 18 | Couse 90° Mâle JIC X NPT Mâle 9/16" x 3/8" | Elbow 90° Male JIC X NPT Male 9/16" x 3/8" | 5405-06-06 | 4 | | 4 | | 4 | | 4 | |
| 19 | Support Valve Hydraulique | Support Hydraulic Valve | 60-010-04 | 1 | | 1 | | 1 | | 1 | |
| 20 | Union Jic Mâle-Jic Mâle 3/8" x 3/8" | Fitting Jic Male-Jic Male 3/8" x 3/8" | 5305-06-06 | 4 | | 4 | | 4 | | 4 | |



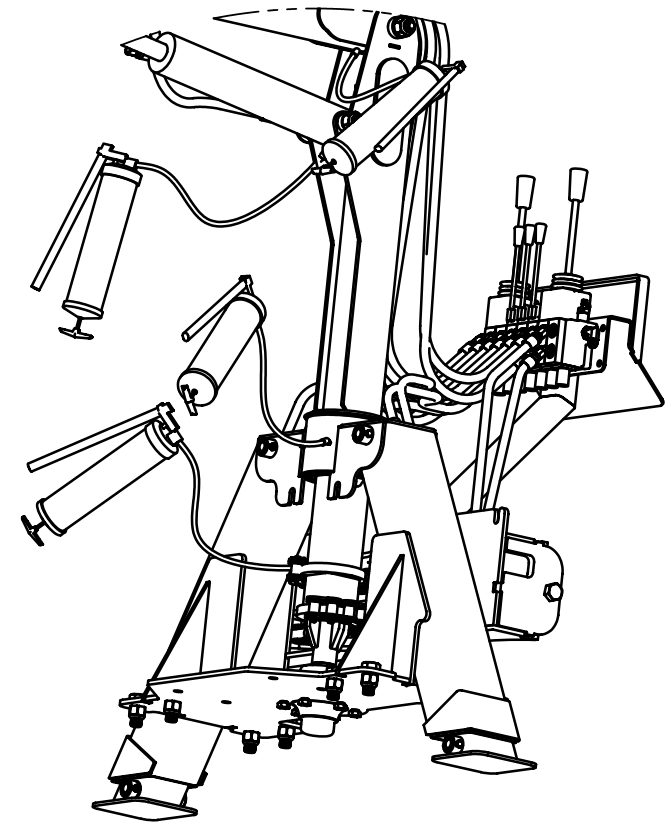
Maintenance préventive / Preventive Maintenance



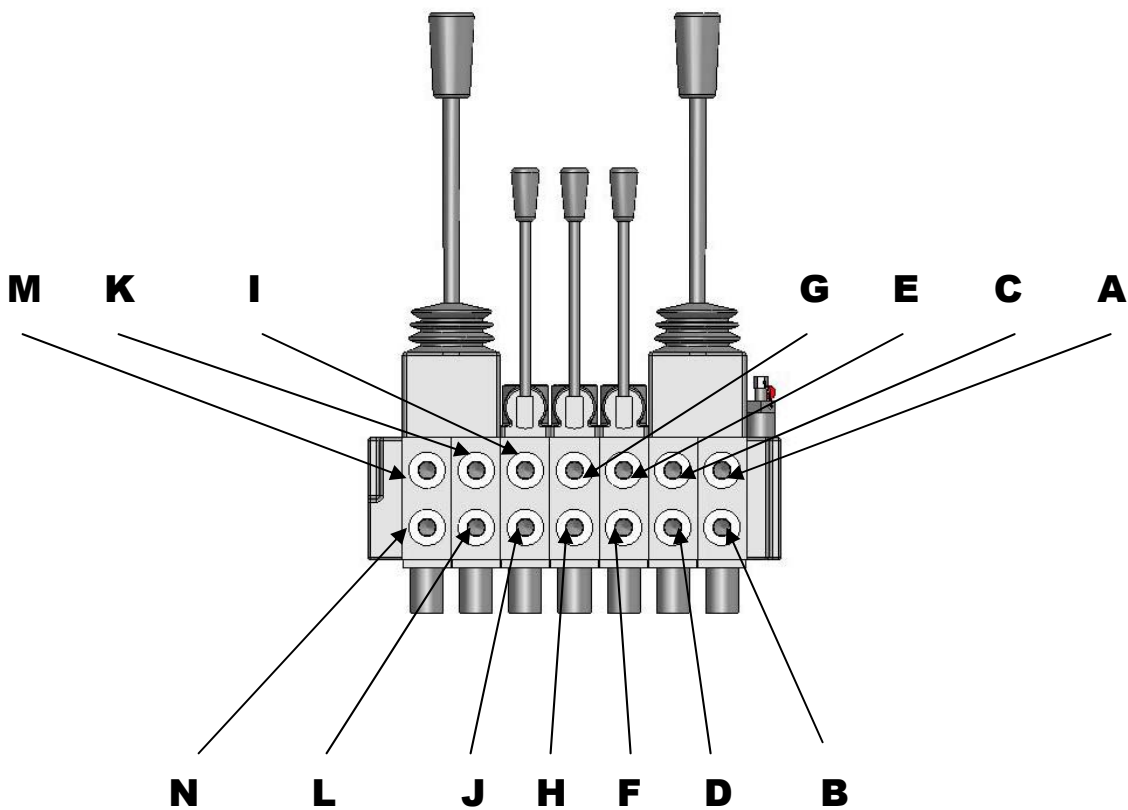
Recommandations de graissage
Lubrication Recommendations

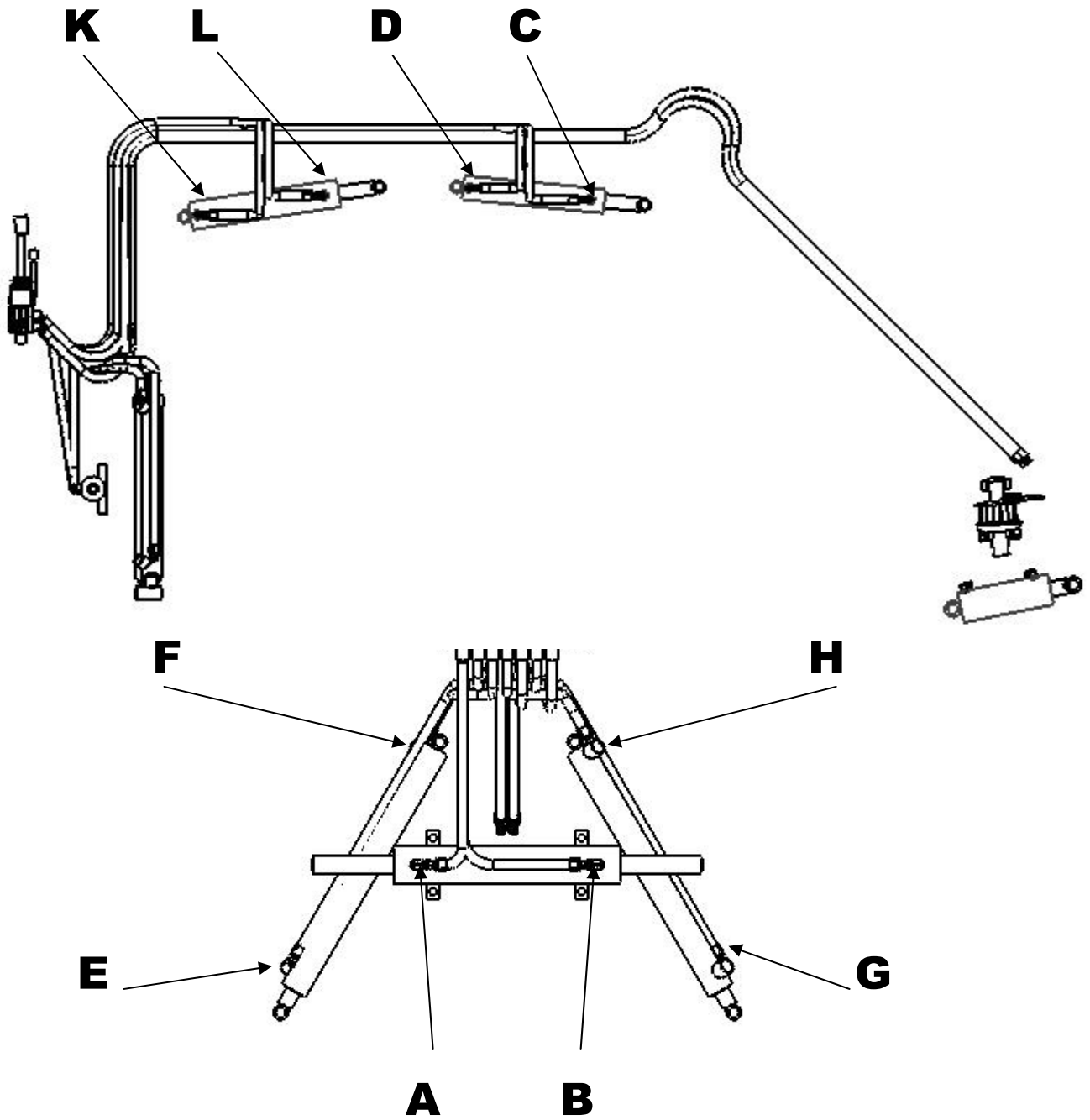
Aux 10 Hrs de travail ou à tous les jours

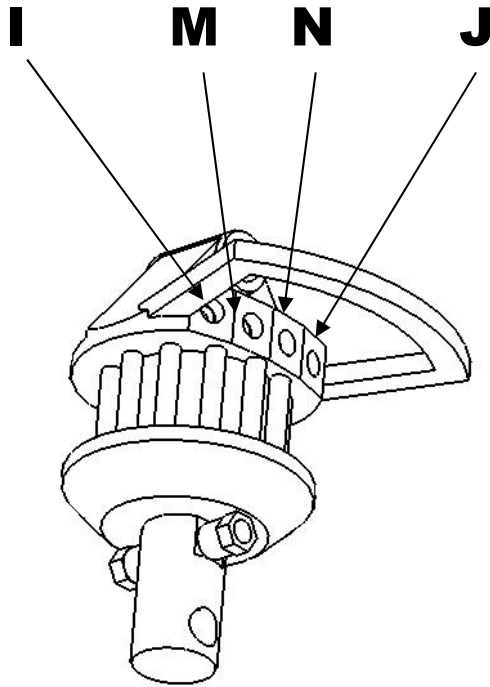
Evrey 10 Hrs or daily



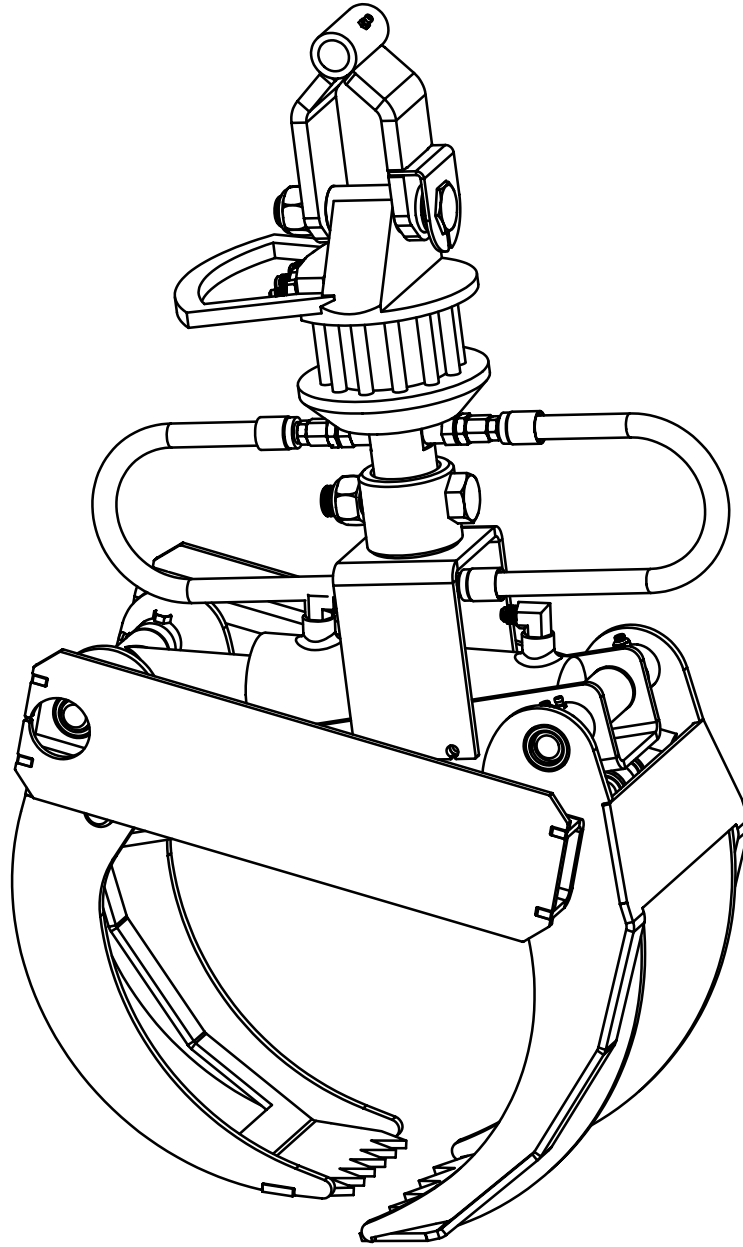
Connections du système hydraulique Hydraulic System Connections



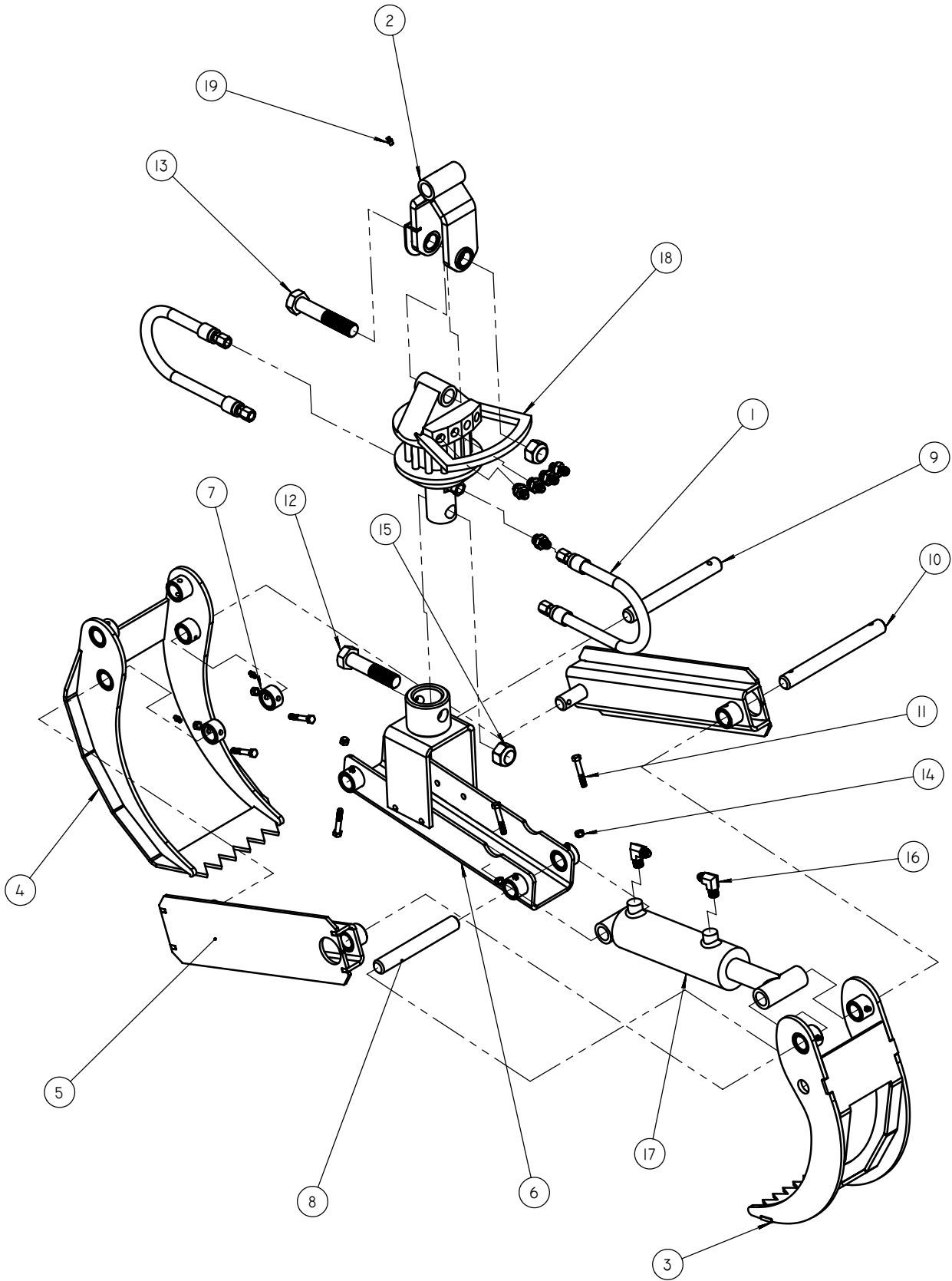




Pinces 28" 36" & 52" Claws



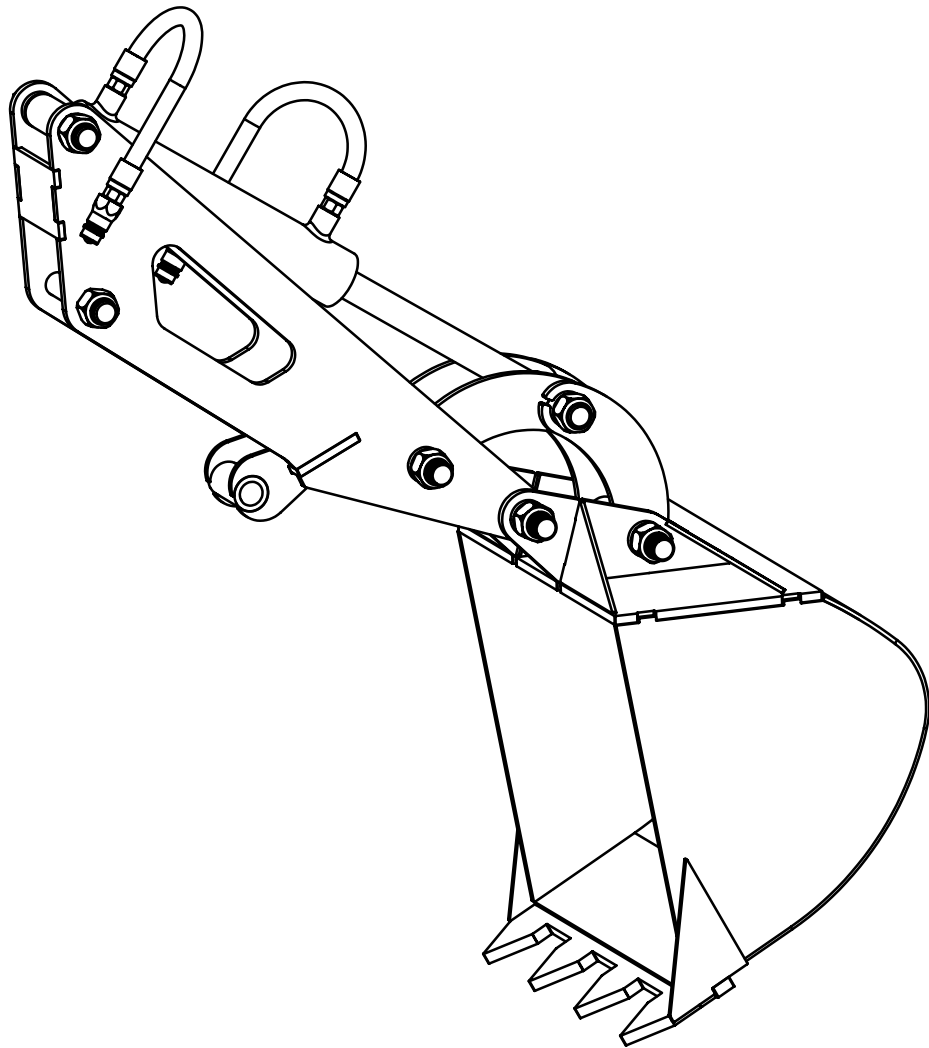
Pinces 28" 36" & 52" Claws



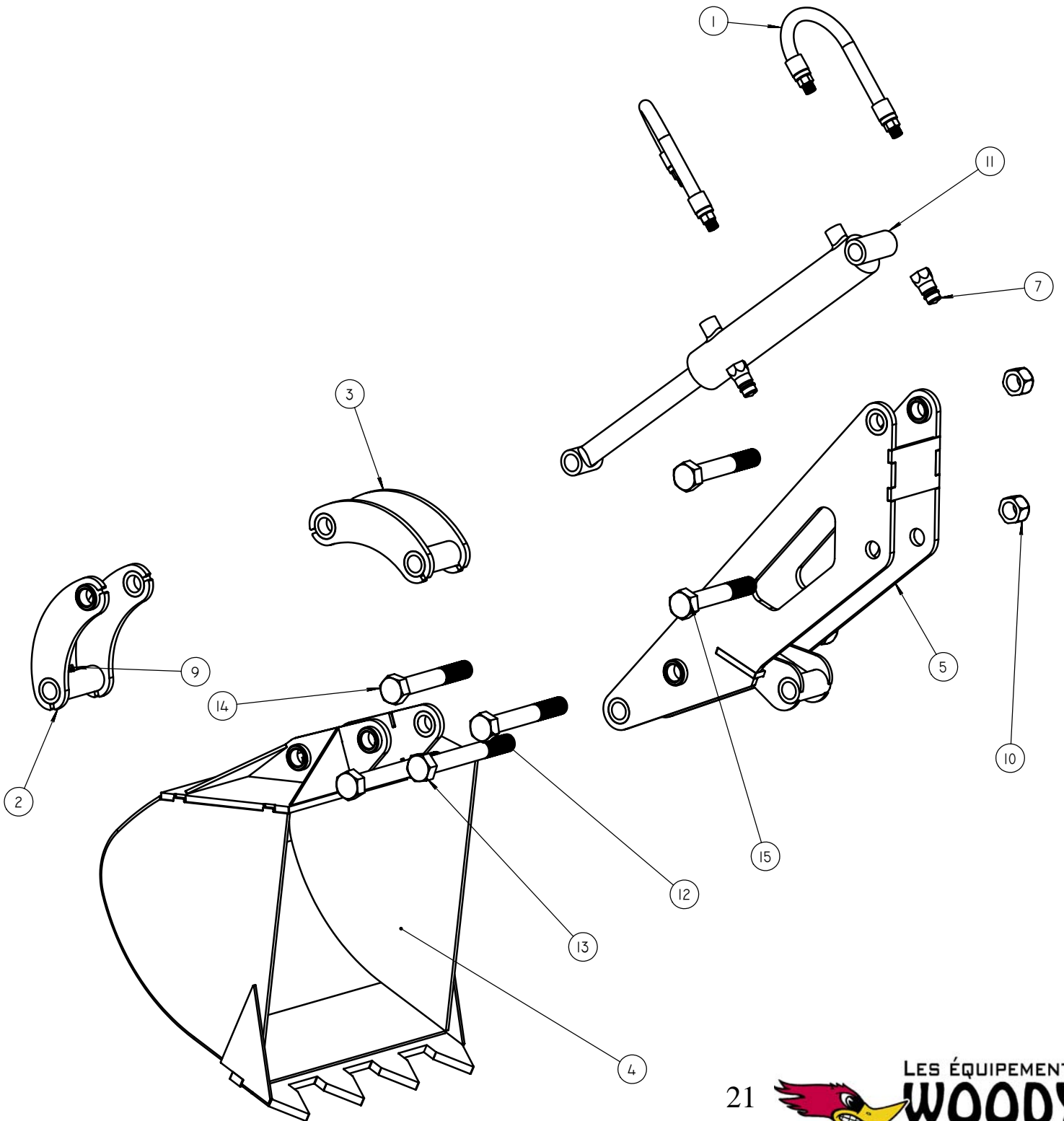
Pinces 28" 36" 36" Claws

| No. Article | Numéro de pièce / Part Number | Description / Français | Description / English | Qté./ 28"/Qty. | Qté./ 36"/Qty. | Qté./ 52"/Qty. |
|-------------|-------------------------------|--|--|-------------------|-------------------|-------------------|
| 1 | 57-000-02 | Boyau hydraulique | Hydraulic hose | 2 | 2 | 2 |
| 2 | 57-000-04 | Support de pince | Support Clamp | 1 | 1 | 1 |
| 3 | 57-005-02 | | | 1 | | |
| | 57-002-02 | Petite mâchoire | Small jaw | | 1 | |
| | 57-004-02 | | | | | 1 |
| 4 | 57-005-01 | | | 1 | | |
| | 57-002-03 | Grosse mâchoire | Large jaw | | 1 | |
| | 57-004-03 | | | | | 1 |
| 5 | 57-005-04 | | | 2 | | |
| | 57-002-07 | Levier latérale | Side lever | | 2 | |
| | 57-004-04 | | | | | 2 |
| 6 | 57-002-01 | | | 1 | | |
| | 57-002-01 | Centre de pinces | Clamp center | | 1 | |
| | 57-004-01 | | | | | 1 |
| 7 | 90-24-16-14-E07-00 | | | 2 | | |
| | 90-24-16-14-E07-00 | Tube mécanique | Seamless | | 2 | |
| | 90-28-20-12-E06-00 | | | | | 2 |
| 8 | 86-16-120 | | | 1 | | |
| | 86-16-120 | Goupille | Pin | | 1 | |
| | 86-20-152 | | | | | 1 |
| 9 | 86-16-140-E14-00-E126-00 | | | 1 | | |
| | 86-16-140-E16-00-E124-00 | Goupille | Pin | | 1 | |
| | 86-24-166-E16-00-E150-00 | | | | | 1 |
| 10 | 86-16-152-E14-00-E138-00 | | | 1 | | |
| | 86-16-152-E13-00-E139-00 | Goupille | Pin | | 1 | |
| | 86-24-176-E14-00-E162-00 | | | | | 1 |
| 11 | B-05-18-32-14 | | | 6 | | |
| | B-05-18-32-14 | Boulon 5/16"-18 x 2" long | Bolt 5/16"-18 x 2" lenght | | 6 | |
| | B-05-18-48-14 | | | | | 4 |
| 12 | BM-24-30-110-54 | Boulon M24-3,0 x 110 MM long | Bolt M24-3,0 X 110 MM lenght | 1 | 1 | 1 |
| 13 | BM-24-30-130-60 | Boulon M24-3,0 x 130 MM long | Bolt M24-3,0 X 130 MM lenght | 1 | 1 | 1 |
| 14 | BLN-05-18 | Écrou autobloquant 5/16-18 | Lock Nut 5/16"-18 | 6 | 6 | 6 |
| 15 | BMLN-24-3,0 | Écrou autobloquant M24-3,0 | Lock Nut M24-3,0 | 2 | 2 | 2 |
| 16 | 5405-06-06 | Coude 90°-Mâle JIC-Mâle NPT-9/16" x 3/8" | Elbow 90°-Male JIC-Male NPT-9/16" x 3/8" | 2 | 2 | 2 |
| 17 | HBU2506-150-SP | | | 1 | | |
| | HBU2506-150-SP | Cylindre Hydraulique | Hydraulic cylinder | | 1 | |
| | HBU3508-175-SP | | | | | 1 |
| 18 | GR30 | Moteur Hydraulique Orbitale | Orbital hydraulic motor | 1 | 1 | 1 |
| 19 | Graisneur | Graisneur droit 1/4"-28 | Greasing 1/4"-28 | 9 | 9 | 9 |
| 20 | B-*05-18-40-14 | Boulon | Bolt | | | 2 |

Godet 14" (1pi³) & 18" (1.6pi³) Bucket



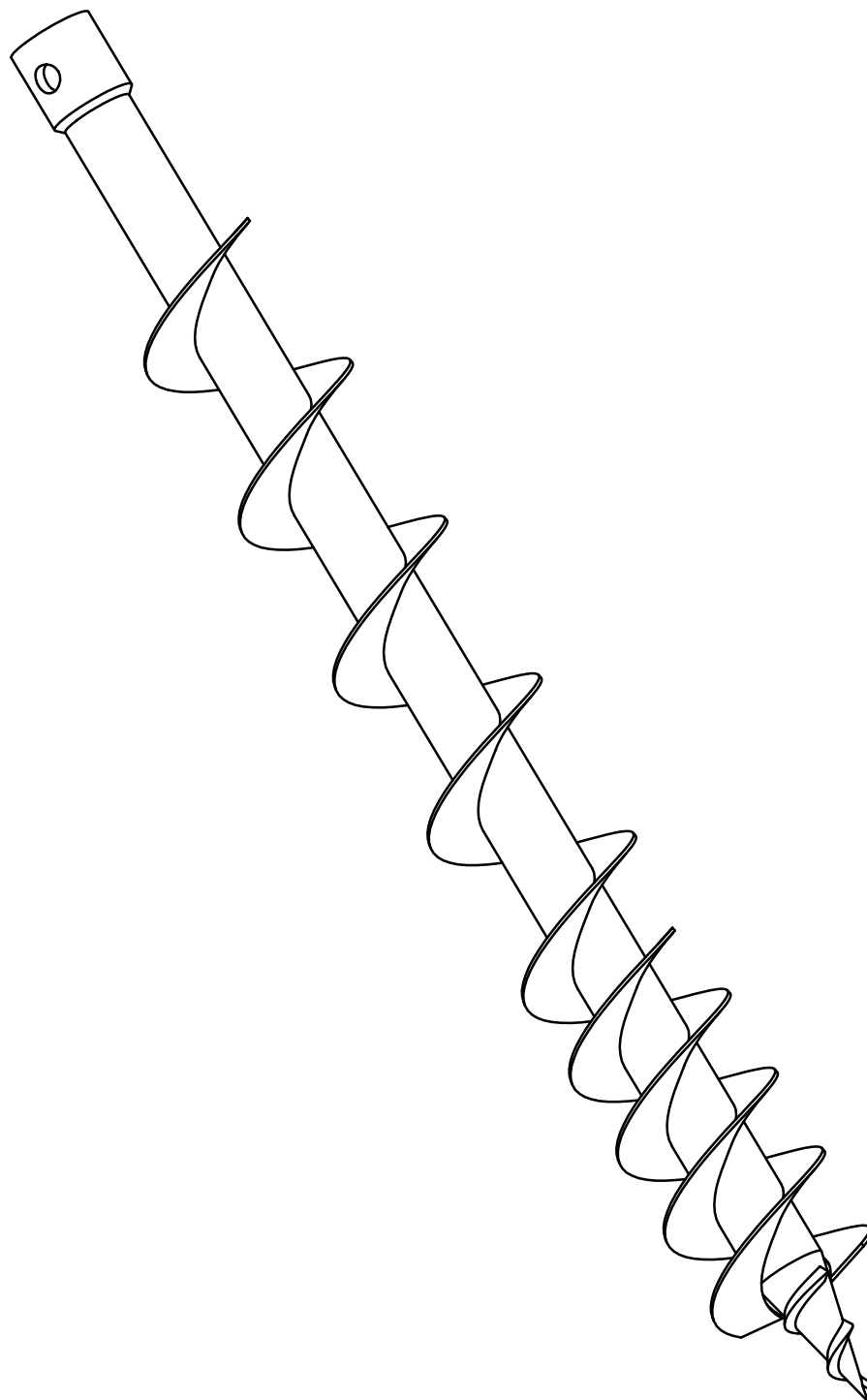
Godet 14" (1pi³) & 18" (1.6pi³) Bucket



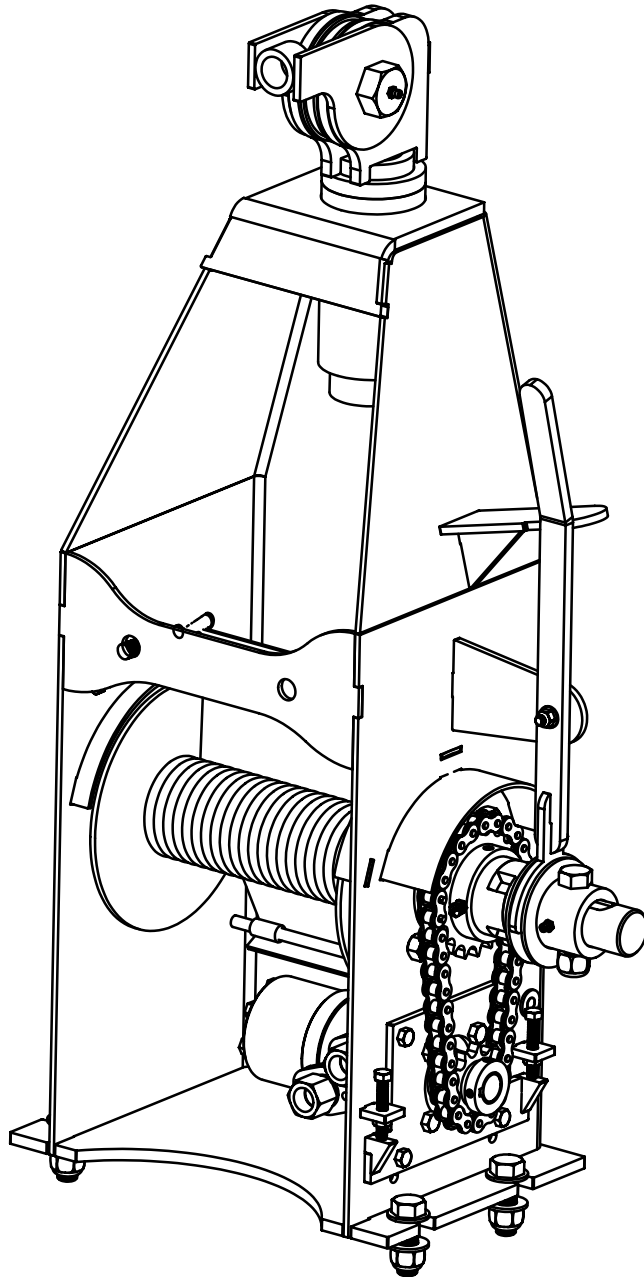
Godet 14" (1pi) et 18" (1.6pi) Bucket

| No. Article | Numéro de Pièce/ Part Number | Description Français | Description_En | QTE |
|-------------|------------------------------|--|---|-----|
| 1 | 56-002-05 | Boyeau Hydraulique | Hydraulic Hose | 2 |
| 2 | 56-002-04 | Bras de pivot | Swingarm | 1 |
| 3 | 56-002-03 | Bras de pivot | Swingarm | 1 |
| 4 | 56-002-02 | Godet 14" 1 pi³ | Bucket 14" 1 ft³ | 1 |
| | 56-003-01 | Godet 18" 1.6 pi³ | Bucket 18" 1.6 ft³ | 1 |
| 5 | 56-002-01 | Attelage pour Godet | Bucket Attachment | 1 |
| 6 | 5205-06-06 | | | 8 |
| 7 | QUICK COUPLING MALE | Quick Coupling Mâle x FEM 3/8"-NPT | Quick Coupling Male x FEM 3/8"-NPT | 6 |
| 8 | QUICK COUPLING FEMELLE | Quick Coupling Femelle x FEM 3/8"-NPT | Quick Coupling Female x FEM 3/8"-NPT | 4 |
| 9 | GRAISSEUR | Graisser Droit 1/4"-28 | Greaser 1/4"-28 | 3 |
| 10 | BLN-16-8 | Écrou Autobloquant 1"-8 | Lock Nut 1" - 8 | 6 |
| 11 | HBU2010-125-SP | Cylindre Hydraulique | Hydraulic Cylinder | 1 |
| 12 | B-16-08-112-40 | Boulon 1"-8 X 7" Long X 2 1/2" Filet | Bolt 1"-8 X 7" Length X 2 1/2" Thread | 1 |
| 13 | B-16-08-128-40 | Boulon 1"-8 X 8" Long X 2 1/2" Filet | Bolt 1"-8 X 8" Long X 2 1/2" Thread | 2 |
| 14 | B-16-08-104-40 | Boulon 1"-8 X 6 1/2" Long X 2 1/2" Filet | Bolt 1"-8 X 6 1/2" Length X 2 1/2" Thread | 1 |
| 15 | B-16-08-96-36 | Boulon 1"-8 X 6" Long X 2 1/4" Filet | Bolt 1"-8 X 6" Length X 2 1/4" Thread | 2 |

Tarière 6" x 36" Auger



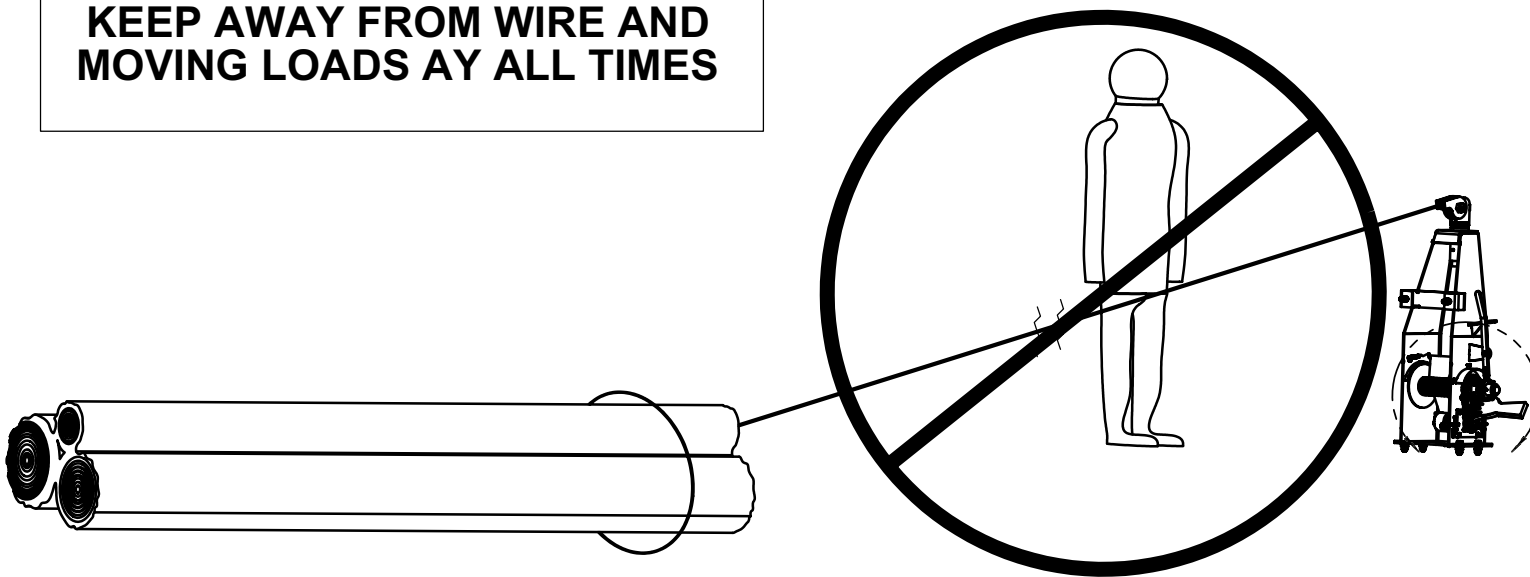
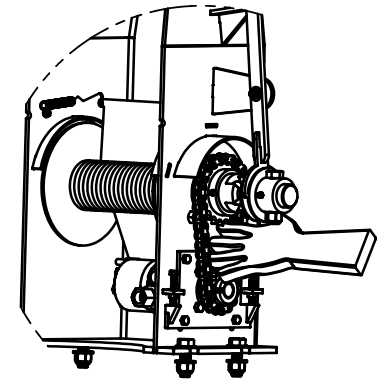
Treuil / Winch W31 & W39

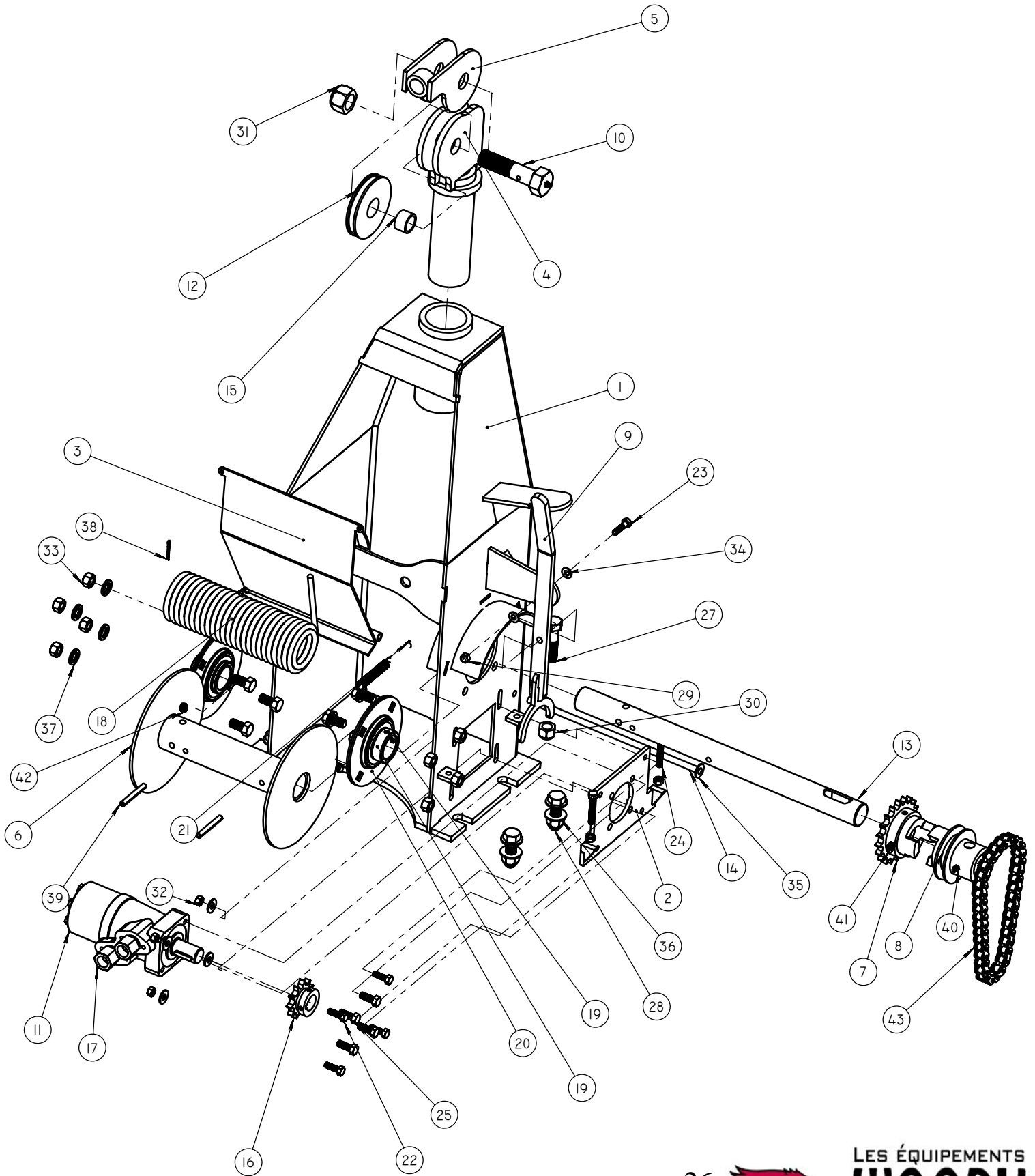


! ATTENTION / WARNING !

**TENEZ-VOUS ÉLOIGNÉ
EN TOUT TEMPS DU CÂBLE
ET DES CHARGES EN
MOUVEMENT**

**KEEP AWAY FROM WIRE AND
MOVING LOADS AT ALL TIMES**

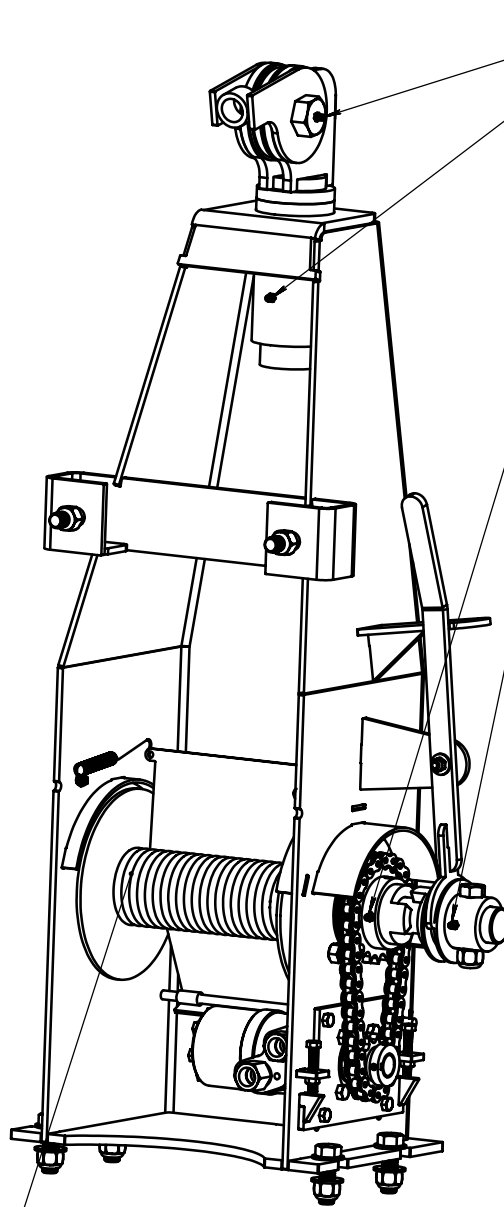




Treuil W31 / W39 Winch

| No. Article | Numéro de Pièce | Description/ Français | Description/ English | QTE |
|-------------|-----------------------------|---|---|-----|
| 1 | 58-003-01 | Bâti du Treuille (W39) | Winch Frame (W39) | |
| | 58-002-01 | Bâti du Treuille (W31) | Winch Frame (W31) | 1 |
| 2 | 58-000-01 | Support Moteur Hydraulique | Hydraulic Motor Support | 1 |
| 3 | 58-000-02 | Tendeur de Cable | Wire Tentioner | 1 |
| 4 | 58-000-03 | Dévidoir rotatif de Cable | Wire Swivel Reel | 1 |
| 5 | 58-000-04 | Dévidoire Rotatif de Cable | Wire Swivel Reel | 1 |
| 6 | 58-000-05 | Bobine pour Cable | Wire Spool | 1 |
| 7 | 58-000-06 | Assemblée Machoire et Roue dentée | Assembly Jaw and Spocket | 1 |
| 8 | 58-000-07 | Machoire d'embrayage | Jaw Clutch | 1 |
| 9 | 58-000-08 | Bras du Neutre | Neutral Arm | 1 |
| 10 | 58-000-006 | Boulon percé pour Garde de Cable | Cable Guard Bolt | 1 |
| 11 | Moteur hy315 | Moteur Hydraulique 315cc | Hydraulic Motor 315cc | 1 |
| 12 | 58-000-024 | Poulie du Cable | Cable Pulley | 1 |
| 13 | 58-000-020 | Arbre de Bobine | Reel Shaft | 1 |
| 14 | 88-06-200 | ROND ACIER 3/8" O.D. X 12 1/2" LONG | Road 3/8" O.D. X 12 1/2" LENGHT | 1 |
| 15 | 89-20-16-12 | Douille de Plastique | Plastic Bushing | 1 |
| 16 | 50B11H | Roue dentée P50 11H | Spocket P50 11H | 1 |
| 17 | 3269-10-08 | Adaptateur Male ORB 7/8"-14 - Femelle NPT 1/2"-14 | Fitting Male ORB 7/8"-14 - Female NPT 1/2"-14 | 2 |
| 18 | 58-000-032 | Cable d'acier 5/16" x 100' Long | Steel Wire 5/16 x 100' Lenght | 1 |
| 19 | UC208-24 | Roulement à Billes | Bearing | 2 |
| 20 | PF208Z | Cage de Roulement | Flange Bearing | 2 |
| 21 | B-661 | Ressort | Spring | 2 |
| 22 | B-05-18-16-14 | Boulon 5/16"-18 X 1" Long X 7/8" Filet | Bolt 5/16"-18 X 1" Lenght X 7/8" Thread | 4 |
| 23 | B-05-18-20-14 | Boulon 5/16"-18 X 1 1/4" Long X 7/8" Filet | Bolt 5/16"-18 X 1 1/4" Lenght X 7/8" Thread | 1 |
| 24 | B-05-18-32-32 | Boulon 5/16"-18 X 2" Long X 2" Filet | Bolt 5/16"-18 X 2" Lenght X 2" Thread | 2 |
| 25 | B-06-16-16-16 | Boulon 3/8"-16 X 1" Long X 1" Filet | Bolt 3/8"-16 X 1" Lenght X 1" Thread | 4 |
| 26 | B-08-13-16-16 | Boulon 1/2"-13 X 1" Long X 1" Filet | Bolt 1/2"-13 X 1" Lenght X 1" Thread | 8 |
| 27 | B-10-11-40-24 | Boulon 5/8"-11 X 2 1/2" Long X 1 1/2" Filet | Bolt 5/8"-11 X 2 1/2" Lenght X 1 1/2" Thread | 1 |
| 28 | B-10-11-32-24 | Boulon 5/8"-11 X 2 1/2" Long X 1 1/2" Filet | Bolt 5/8"-11 X 2" Lenght X 1 1/2" Thread | 4 |
| 29 | BLN-05-18 | Écrou Autobloquant 5/16"-18 | Lock Nut 5/16" - 18 | 1 |
| 30 | BLN-10-11 | Écrou Autobloquant 5/8"-11 | Lock Nut 5/8" - 11 | 5 |
| 31 | BLN-16-8 | Écrou Autobloquant 1"-8 | Lock Nut 1" - 8 | 1 |
| 32 | BN-05-18 | Écrou Hexagonal 5/16"-NC | Hexagonal Nut 5/16"-NC | 6 |
| 33 | BN-08-13 | Écrou Hexagonal 1/2"-NC | Hexagonal Nut 1/2"-NC | 8 |
| 34 | BW,3125EA | Rondelle Plat 5/16" Étroite | Flat Washer 5/16" Narrow | 2 |
| 35 | BW,3125LA | Rondelle Plat 5/16" Large | Flat Washer 5/16" Broad | 5 |
| 36 | BW,6250EA | Rondelle Plat 5/8" Étroite | Flat Washer 5/8" Narrow | 8 |
| 37 | LW10 | Rondelle frein 5/8" | Flat Washer 5/8" | 8 |
| 38 | GOUPILLE FENDU ACIER | Goupille Fendue 7/64 DIA. X 3/4" LG. | Cotter pin 7/64 DIA. X 3/4" LG. | 1 |
| 39 | GOUPILLE TENDEUSE A RESSORT | Goupillie Élastique 5/16" x 1 1/2" | Spring Pin 5/16" x 1 1/2" | 2 |
| 40 | GRAISSEUR | Graisneur Droit 1/4"-28 | Greaser 1/4"-28 | 2 |
| 41 | GRAISSEUR 45 DEGREE 0_25-28 | Graisneur 45deg. 1/4"-28 | Greaser 45deg. 1/4"-28 | 2 |
| 42 | VSPC-06-08 | Vis à six pan creux 5/16" Dia. x 3/8" Long | Allen Screw 5/16" Dia. x 3/8" Lenght | 1 |
| 43 | Chaîne No 50 17 Maillies | Chaîne No 50 | Chain No 50 | 1 |

Maintenance & maintenance préventive Maintenance & Preventive Maintenance



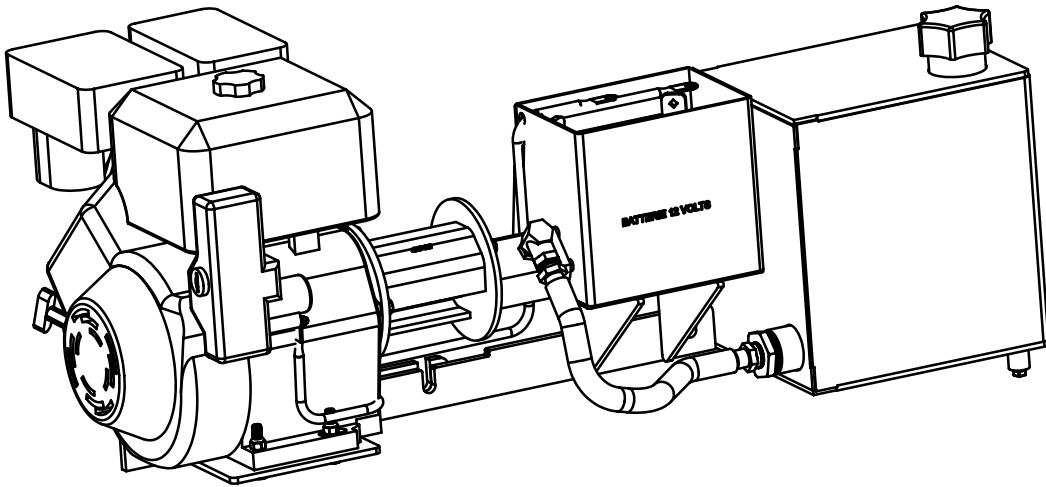
Graisser une fois
par semaine

Grease once
per week

Vérifier l'état du câble
avant chaque utilisation

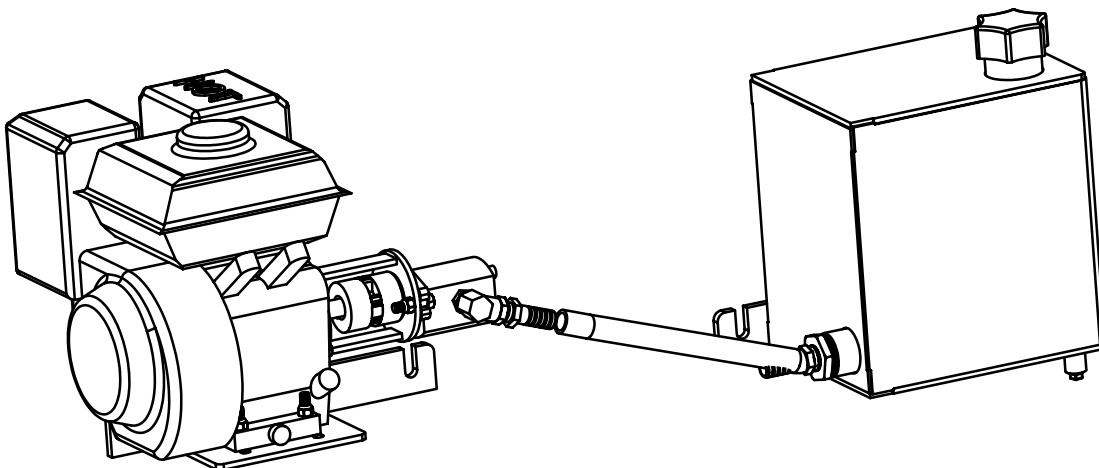
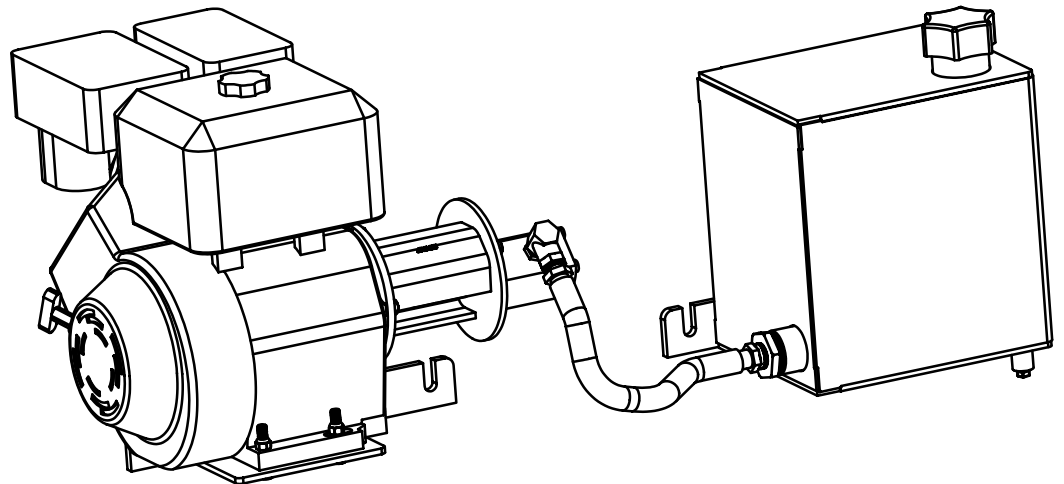
Check wire condition
before each using

Unité hydraulique/ Power Unite

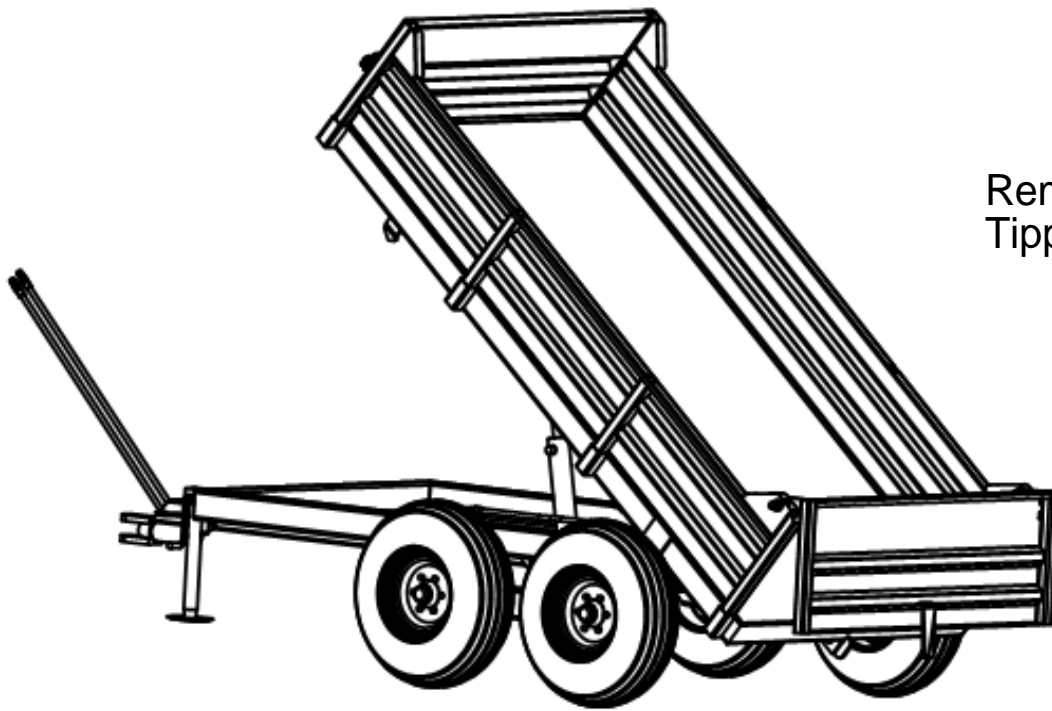


13 Hp 6 GPM
Avec démarreur électrique
With Electric Starter

9 Hp
4 GPM



5.5 & 6.5 Hp
2 GPM

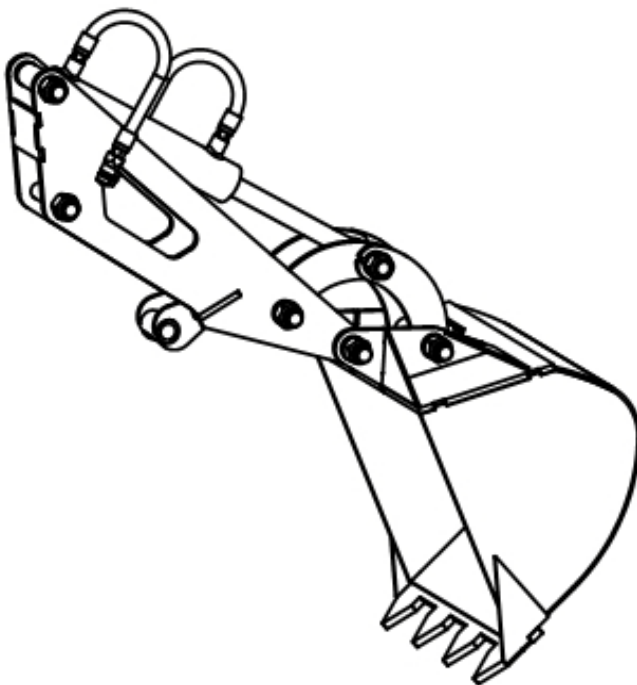
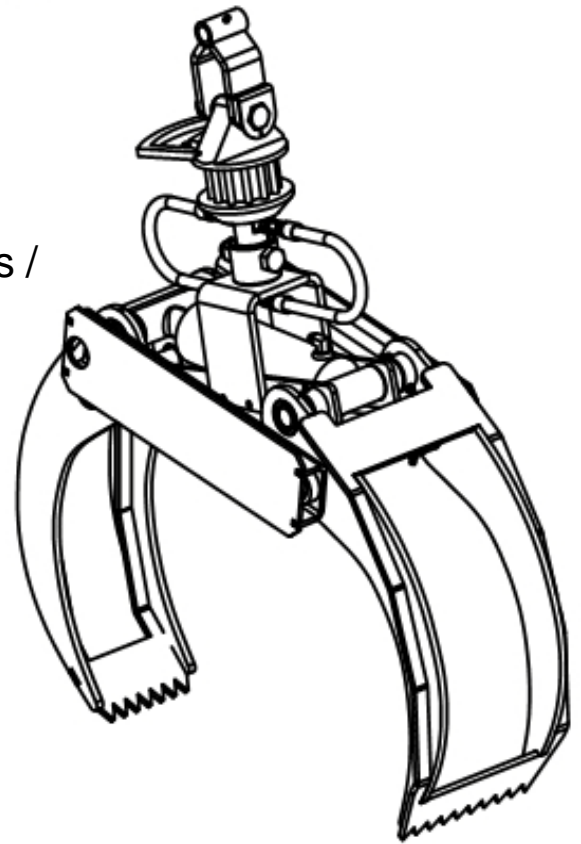


Remorques Basculantes /
Tipping Trailers

- 4' x 8'
- 4' x 10'
- 5' x 10'
- 6' x 12'
- 7' x 12'

Pinces pour Chargeuses /
Loader Claws

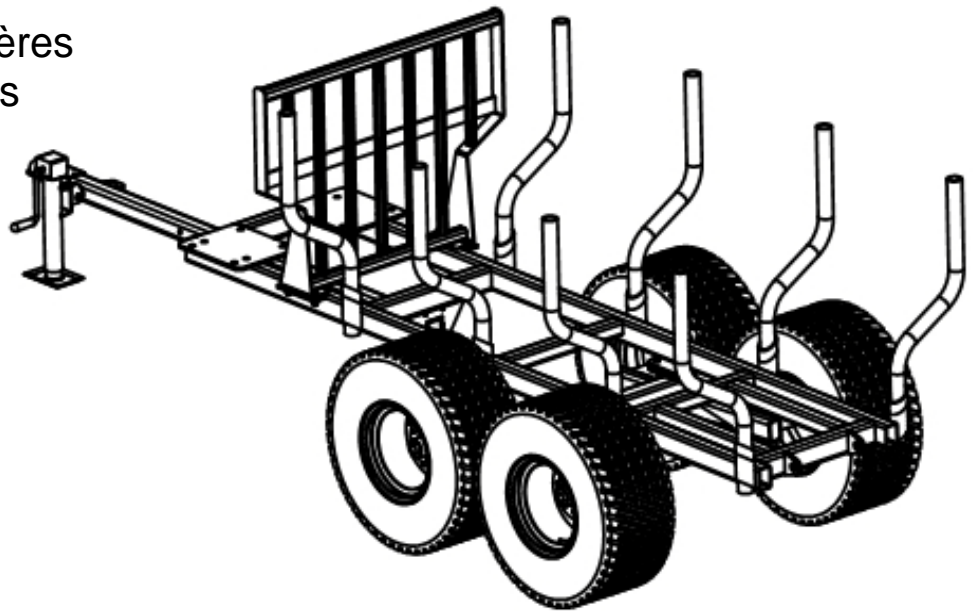
- 27"
- 36"
- 52"



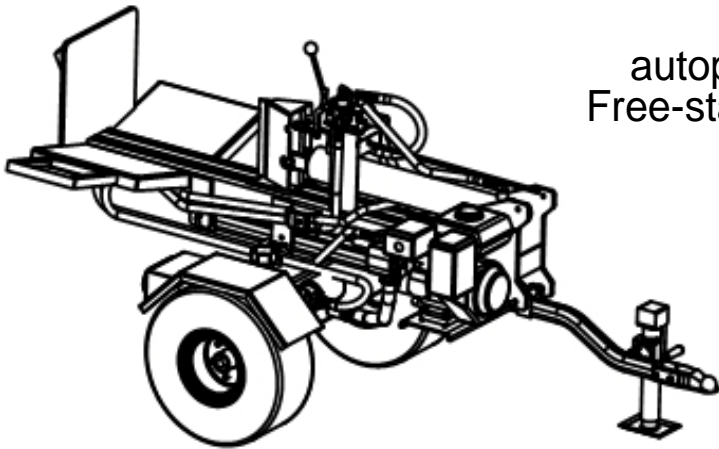
Godet pour creuser; adaptable
à votre Chargeuse

Digging bucket, adaptable to
your loader
14" & 18"

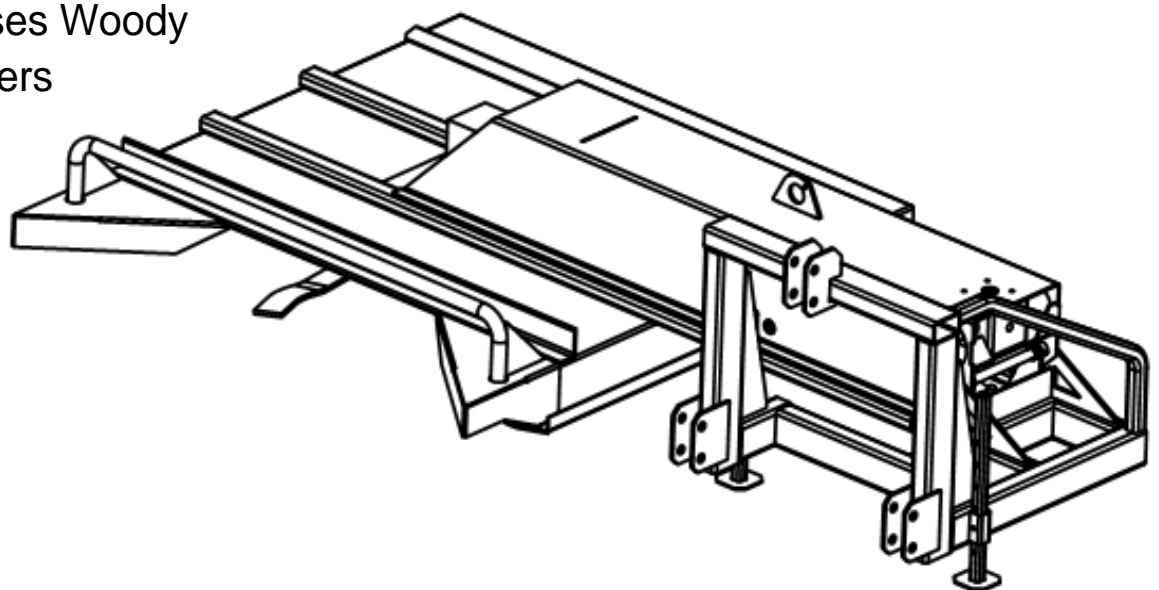
Remorques Forestières
Forestry Trailers

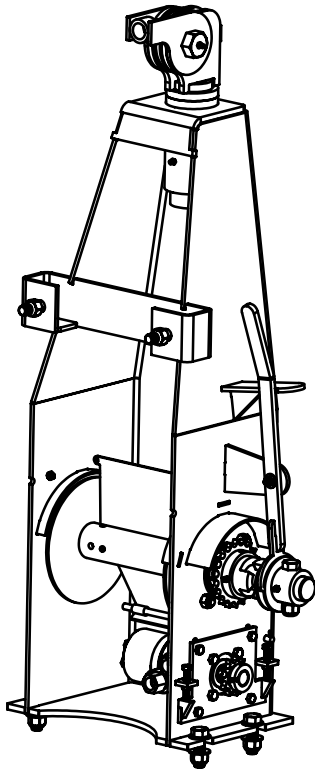


Fendeuses à Bois
autoportées & attache 3 points
Free-standing and 3-Point Attachment
Log Splitters



Débroussailleuses Woody
Brush Cutters

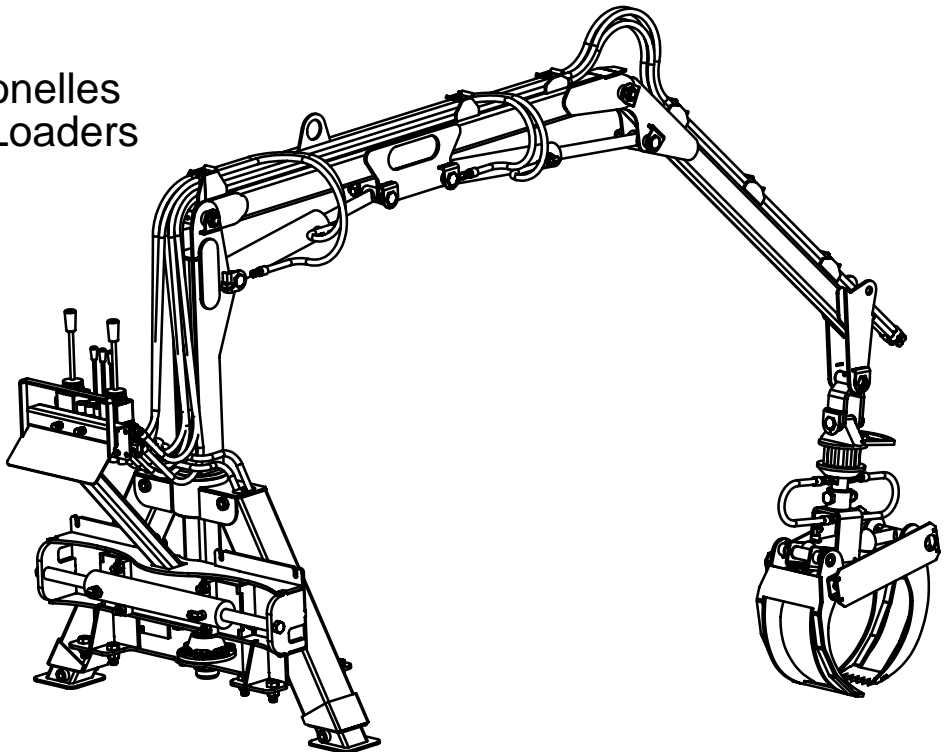




Treuil Hydraulique Woody
Woody Hydraulic Winches

Chargeuses Multifonctionelles
Woody Multifunctional Loaders

- 115HD (11' 6")
- 130HD (13')
- 150HD (15')
- 170HD (17')





Garantie

Merci d'avoir choisi un produit Les Équipements Woody inc. de conception pratique et robuste avec des matériaux de qualité. Nous vous recommandons de manipuler ces produits avec soin et avec grande prudence.

Les Équipements Woody inc. offre à leurs clients une garantie sur le marché agricole et forestier pour les produits fabriqués à leur usine. La période de garantie est de 1 an à partir de la date d'achat à des conditions d'usage domestique, non abusif. Attention de respecter les capacités, de charge, de pression des pneus, des limites de vitesse et la lubrification des graisseurs. Toutes réparations de garantie seront effectuées à l'usine de fabrication (St-Odilon) ou chez concessionnaire autorisé. Les frais transport et de déplacement ne sont pas couverts par la garantie Woody. Les illustrations, les caractéristiques et les poids sont approximatifs et sans engagement. Nous nous réservons le droit d'apporter toutes modifications servant à un perfectionnement du produit ainsi qu'une modification à la garantie et ce, en tout temps sans préavis de notre part.

Cette garantie couvre :

- Toutes fuites d'huile causées par défaut de fabrication.
- Tout défaut et mauvais fonctionnement des composantes hydrauliques.
- Tout défaut de fabrication entraînant le mauvais fonctionnement de la machine.

N.B. cette garantie ne couvre pas :

- L'utilisation abusive du produit.
- Les réparations causées par négligence de l'utilisateur.
- Lors de l'installation du **produit Woody sur toute autre machine**, les bris causés par l'acheteur ou par tout autre détaillant non autorisé.
- La détérioration de la machine sur laquelle le produit **Woody** est installé.
- Les bris encourus à la suite d'un renversement de la machine ou d'un accident quelconque.
- Le remplacement de pièces dont l'usure est causée par un manque de lubrification ou un manque d'entretien normal du produit.
- Toute modification apportée au produit sans le consentement de Les Équipements Woody inc.



- Certains articles font l'objet d'une garantie par leur fabricant respectif, comme les pompes hydrauliques, les contrôles et les cylindres hydrauliques ainsi que les moteurs Honda et Lifan
- Les services d'entretiens normaux comme les mises aux points, les changements d'huile, l'usure normale etc.
- Les modifications non-standard au produit d'origine.

N.B. Les Équipements Woody inc. n'est responsable d'aucuns dommage(s) matériel(s) et corporel(s), incluant la perte de profits, la location d'équipement de remplacement ou tout autre dommage ou préjudice, pouvant subvenir en raison d'un mauvais fonctionnement de la machine.

Relevés d'entretien

Les réparations doivent être effectuées par Les Équipements Woody inc. ou par un détaillant autorisé avec consentement écrit de Les Équipements Woody inc. ,autrement la garantie sera annulée.

Les Équipements Woody inc. se réserve le droit de réparer ou de remplacer sans frais, à leur choix, toute pièce jugée défectueuse en raison d'un vice de matériaux ou de fabrication. On réserve aussi le droit de déterminer si une mauvaise utilisation en a été la cause, soit par manque d'entretien, mauvaise utilisation ou utilisation abusive de la part du client.



Warranty

Thank you for choosing durable and practical products designed and manufactured by Les Equipment Woody Inc. We recommend that you always handle your equipment carefully.

All products manufactured by *Les Equipment Woody Inc.* and used for domestic purposes are covered by a one (1) year warranty applicable from the purchase date, except in particular cases when the warranty might be modified according to adjustments specified on the sale contract. This warranty is not transferable. We reserve the right to carry out any modifications to improve product performance as well as any modifications to the warranty without prior notice.

Items covered:

- ⌚ Any oil leak resulting from a manufacturing defect.
- ⌚ Any defect resulting in defective functioning of the hydraulic component.
- ⌚ Any manufacturing defect resulting in inadequate functioning of the machine.

Items NOT covered:

- ⌚ Any abusive use of the product.
- ⌚ Any damage caused by user neglect.
- ⌚ Any damage caused by the buyer or any unauthorized dealer while installing a Woody product.
- ⌚ Any damage caused to machinery by installing a Woody product.
- ⌚ Any damage resulting from overturning the machine or from any other accidental occurrence.
- ⌚ Replacement of parts when excessive wear is due to lack of lubrication and/or regular maintenance.
- ⌚ Any modification made by the buyer without the consent of Les Équipements Woody Inc.
- ⌚ Certain parts are guaranteed by their respective manufacturer, such as the hydraulic pumps, the hydraulic controls and cylinders as well as the Honda and Lifan engines.



- ⌚ Routine maintenance such as tune ups, oil changes, normal wear and tear, etc.
- ⌚ Any non-standard modifications to the original equipment.

NOTE: Les Equipements Woody Inc. is not responsible for any material or personal damages, including lost income, replacement rental or any other damages caused by a defective product.

Maintenance Reports

All warranted repairs must be performed by Les Equipment Woody Inc. or by an authorized dealer with the written consent of Les Equipment Woody Inc., otherwise the warranty will be voided.

Les Equipements Woody Inc. reserves the right to either repair or replace, without cost to the buyer any part judged defective on grounds of defective materials or workmanship. It also reserves the right to determine if the defect resulted from a misuse of the product, be it lack of maintenance, incorrect use or abusive use of the product.